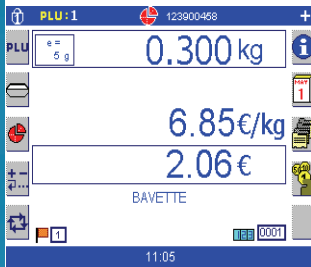
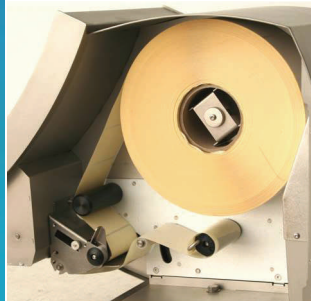


Economic labelling for medium duty manual applications



Comprehensive

The extensive configurable weigh-price labelling features of the Etica product line meet every need. There are almost no limits with the Etica's simple, yet comprehensive, PLU, order and label management system.



Built-in printing

The Etica 2300 has a built in printer providing an economical all-in-one weigh price labeller.



Flexible solutions

The Etica 2300 is compatible with a wide range of METTLER TOLEDO IDNet scale platforms. No matter the size or precision requirement, the Etica 2300 has a solution that fits the application.



Etica 2300

The Etica 2300 is the entry level weigh-price labeller offering a wide range of industrial features of the Etica line, in an economical package.

It has a compact design, painted non-stick chassis, with built in medium duty printer. It can easily pivot on its stand to give operator flexibility in labelling many different items.

It can be connected to several different METTLER TOLEDO scale bases, as well as other commercially available printers and handheld barcode readers.

For low or medium duty application the Etica 2300 is the product of choice.

Technical data

Etica 2300

For medium duty manual applications

Application features

- Up to 30 000 PLU items.
 - 10 000 characters per ingredient list per PLU
 - 255 fares, 4 programmable dates
 - 3 levels of PLU classification (departments, families, and groups)
 - Weight and tare up to 5 characters
 - Price per article up to 8 characters
 - Printed payment price up to 9 characters
 - Libraries for texts, ingredients, and label layouts
 - Integrated label editor
 - On screen help messages
 - Tracing incoming items with automatic barcode entry
 - Effortless handling of a large amount of text through full screen display
 - Simple on screen methods for handling article re-labelling, loss, return and cancellation
 - Modes include variable weight/price, fixed weight, fixed price as well as no weight
 - Multiple country prices and languages
 - Printing of labels with manual fixed weight entry
-
- Printing and reading of barcodes EAN8, 13, 14, codes 39, 93, 128, ITF, UPC-A, UPC-E and 2/5 interleafed, EAN128 and PDF417

Data Management

- Advanced statistical functions
- Configurable reporting capabilities
- Event logs

User interface

- Intuitive programming through graphical display
- 40 keys + integrated virtual keyboard
- Keyboard ergonomically oriented towards user
- 5.7 in VGA TFT colour

Data storage and memory

- 64 MB RAM and 128 MB Mass storage
- Limitless number of logos and label definitions

Interfaces and host communication

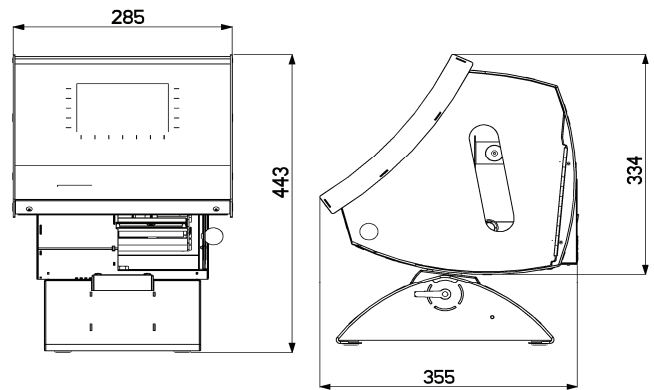
- Interfaces: RS232, Ethernet (10baseT) TCP/IP, 2 x USB and RS485 (optional)
- Host communication (batch) through METTLER TOLEDO ETITRANS

Security

- Menus password protected
- Data security by storing data on a remote device
- Level defined operator passwords

Materials

- Painted stainless steel
- Waterproof keyboard



Weight	3/6kg	6/12kg	6kg	12kg	15kg	6/15kg	30kg
Precision	1g/2g	2g	2g	2/5g	5g	2g/5g	5g
Min. weight	20g	40g	40g	40g	100g	40g	100g

Tare compensation on all the ranges
See your METTLER TOLEDO representative for alternative scales up to 600kg

Printing

- Thermal direct (125mm/sec)
- Support Windows® fonts
- Support for various fonts and character sets (Cyrillic, Arabic, Chinese, Greek)
- Printing of multiple logos
- Label size max. 80x200mm
- Printable width 72mm
- Multi-directional printing
- Maximum role diameter 180mm
- Paper role support 38 or 76mm
- Connection to external printers

Options include:

- Scale base with METTLER TOLEDO IDNet
- Interface RS485
- External printers
- Hand held barcode readers



Quality certificate ISO9001
Environment management system
ISO14001
Worldwide service

Subject to technical changes
©06/2007 Mettler-Toledo EPEC
Printed in Germany
Ref: 292 30 502 – v2.0

www.mt.com/retail

For more information