

InFit® 761 e/764 e – The insertion housings for vessels, bioreactors and pipings

Technical data



InFit 761 e and InFit 764 e

Short description

The static insertion housing InFit 761 e allows quick and easy installation (vertically or laterally into vessels, bioreactors and pipings) of electrodes and sensors with Pg 13.5 thread and a diameter of 12 mm. This allows the use of a large range of pH/redox electrodes with solid or gel-type reference electrolyte as well as sensors for measuring conductivity, turbidity, dissolved oxygen and CO₂ in the chemical and pharmaceutical industry (even in hazardous areas) as well as in biotechnological and food & beverage applications.

The static insertion housing InFit 764 e provides quick and easy integration of pressurized pH/redox electrodes with liquid reference electrolyte into applications of the chemical and pharmaceutical industry, as well as into applications used in the biotechnological, food & beverage and industrial wastewater areas.

The housings feature the following highlights:

- vertical or lateral installation into vessels, bioreactors and pipings
- variable insertion lengths for installation in vessels, reactors and pipings
- wide range of process connections
- sealings made of material conforming with FDA and USP (MFQ and FFKM) standards
- all parts in contact with the medium (made of metal, without protective cage) meet the N5 requirements.
- large choice of materials for wetted parts, depending on process requirements
- optional protective cage for electrode protection in abrasive media
- conformity with EX and PED standards

Content

Operation and system	2	Ordering information	19
General operation of the housing	2	Product key	19
Complete measuring system	2	Housing and spare parts	20
Dimensional drawings	3	Accessories and additional documentation	22
Dimensional drawings InFit 761 e	3		
Dimensional drawings InFit 764 e	6		
Possible installations	8		
Process connections	10		
Technical specifications	13		
Technical specifications InFit 761 e	13		
Technical specifications InFit 764 e	15		
Suitable electrodes/sensors	17		

General operation of the housing

The housings act as a support for electrodes and sensors used in various industries for measuring pH, redox, dissolved oxygen, CO₂, turbidity and conductivity.

The generic term InFit 76X e Series used in this document refers to:

- **InFit 761 e** – Insertion housing for pH/redox electrodes with gel-type or polymer electrolyte, O₂, CO₂, turbidity and conductivity sensors (with 12 mm diameter and Pg 13.5 thread).
- **InFit 764 e** – Insertion housing for pressurized pH/redox electrodes with liquid electrolyte (such as InPro 2000).

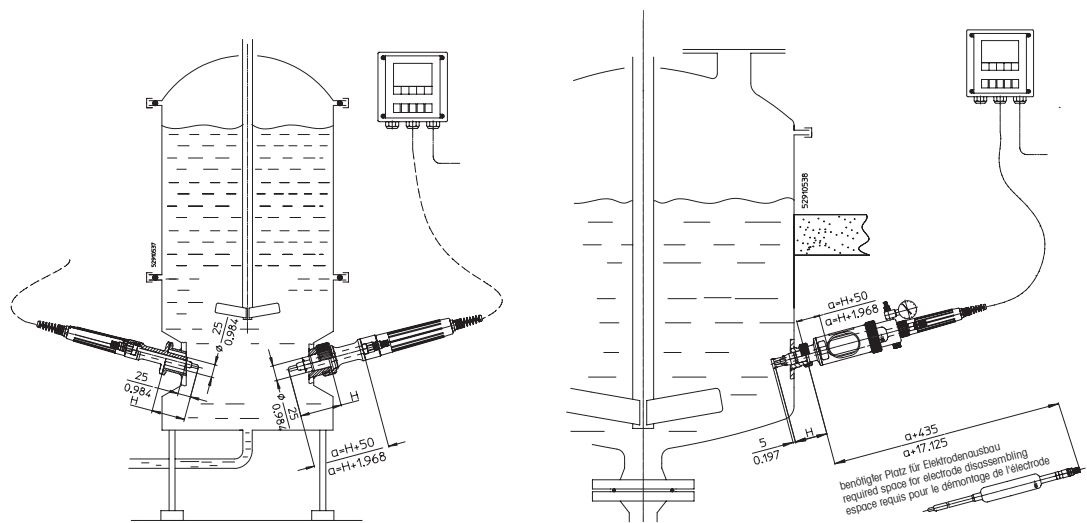
All housings made of steel are suitable for „in-situ“ sterilization and may be mounted diagonally or vertically into reactors and pipings. For sterility reasons the InFit 76X e with type «C» sensor holder employs an optimally positioned O-ring to minimize the gap between the wet part of the housing and the socket. These versions are especially designed for advanced hygienic requirements.

Only the InFit 76X e versions with type «C» sensor holder are suitable for autoclaving or CIP cleaning (see «Product key» on page 19). Insertion housings protect the electrodes/sensors from mechanical damage. The (black) anti-static protection sleeve protects the plug-type connector (allowing easy replacement of electrodes/sensors) from humidity and mechanical damage. The plug-type electrodes facilitate electrode interchange and the electrode cable can be used repeatedly. Furthermore, most versions (except the InFit 76X e with type «C» sensor holder always without protective cage) are available with or without protective cage for electrode/sensor tip. The housings with type «Y» sensor holder are designed for vertical installation.

Note: Housings suitable for operation in hazardous areas carry a respective symbol on their type plate. Housings that do not carry this additional marking are not admissible for use in hazardous areas.

All medium wetted parts of the housing are available in stainless steel according to DIN 1.4435/316L, DIN 2.4602/Alloy C22 or titanium, or made of PVDF and PP plastics. The head (top piece) is made of antistatic PP and nickel-plated brass. The O-ring seals between the housing and the medium are made of Viton® (FKM), Kalrez® (FFKM), silicone (MVQ) or EPDM.

Complete measuring system



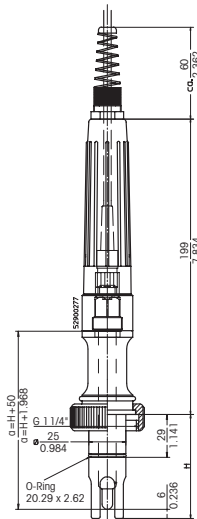
Complete measuring system InFit 761 e (left) and InFit 764 e (right)

Dimensional drawings InFit 761 e

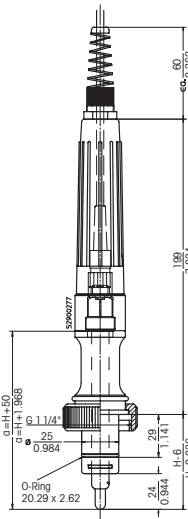
Dimensions mm
(approx.) inch

H = immersion length, a = sensor length

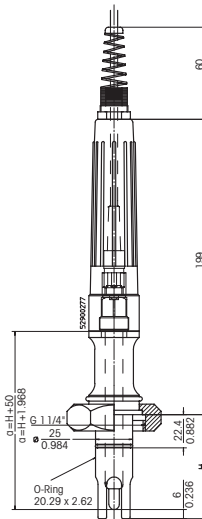
InFit 761/WS/*/*D00/*9-
oder / or / ou
InFit 761/WS/*/*D11/*9-



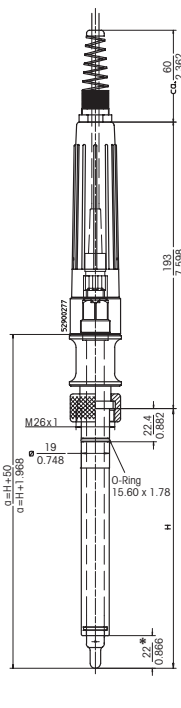
InFit 761/NS/*/*D00/*9-
oder / or / ou
InFit 761/NS/*/*D11/*9-



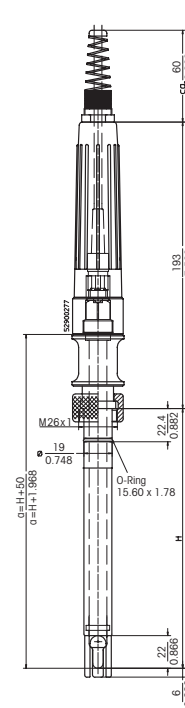
InFit 761/WS/*/*D10/*2-



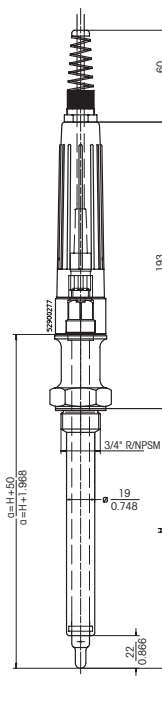
InFit 761/NY/*/*P01/*2-



InFit 761/WY/*/*P01/*2-



InFit 761/NY/*/*P02/*--



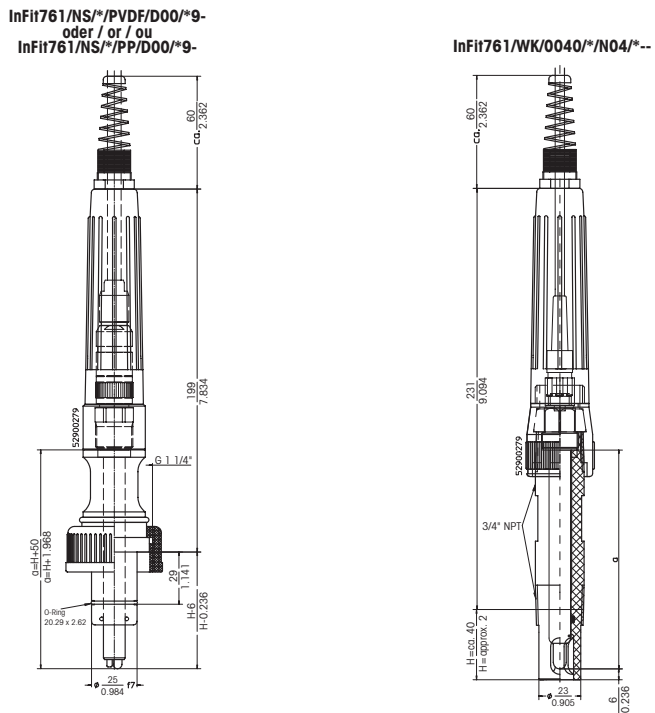
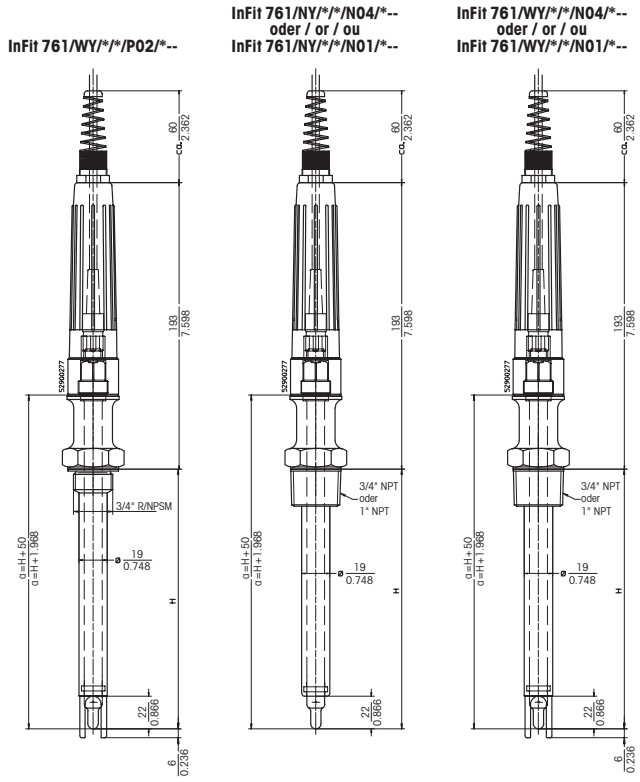
30 * For housings with immersion length H=70 and without protection cage
1.181

For immersion lengths (H) and appropriate sensor lengths please refer to the section «Suitable electrodes/sensors» page 17.

Dimensional drawings InFit 761 e

Dimensions mm	
(approx.)	inch

H = immersion length, a = sensor length

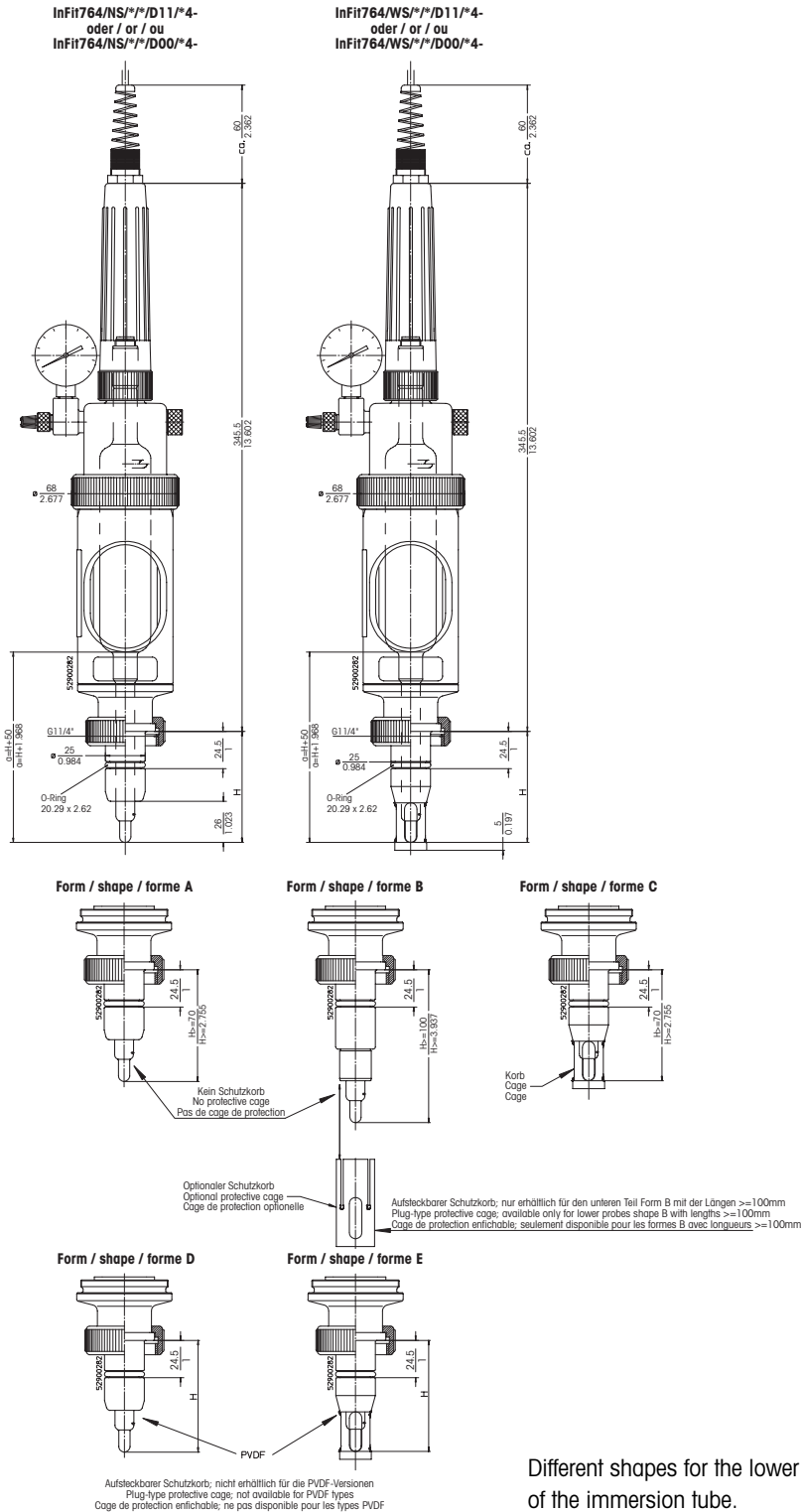


For immersion lengths (H) and appropriate sensor lengths please refer to the section «Suitable electrodes/sensors» page 17.

Dimensional drawings InFit 764 e

Dimensions	mm
(approx.)	inch

H = immersion length, a = sensor length



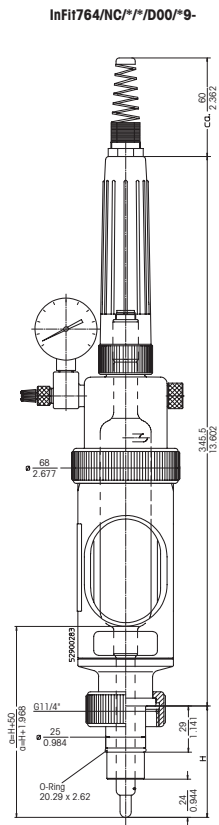
Different shapes for the lower part of the immersion tube.

For immersion lengths (H) and appropriate sensor lengths please refer to the section «Suitable electrodes / sensors» page 18.

Dimensional drawings InFit 764 e

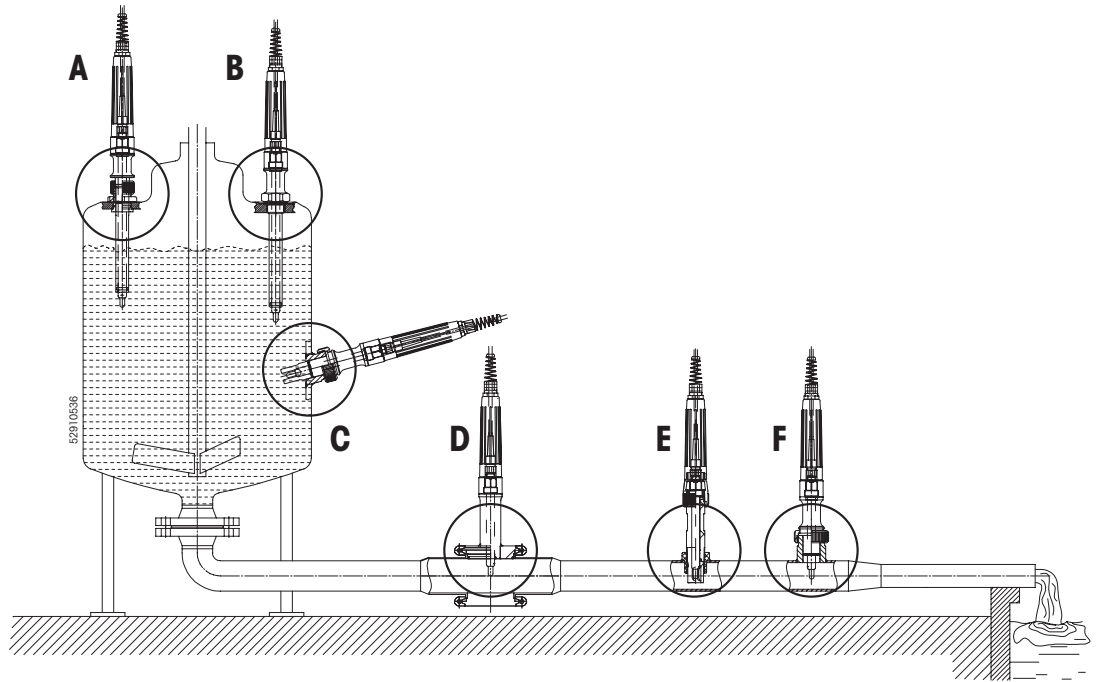
Dimensions	mm
(approx.)	inch

H = immersion length, a = sensor length



For immersion lengths (H) and appropriate sensor lengths please refer to the section «Suitable electrodes/sensors» page 18.

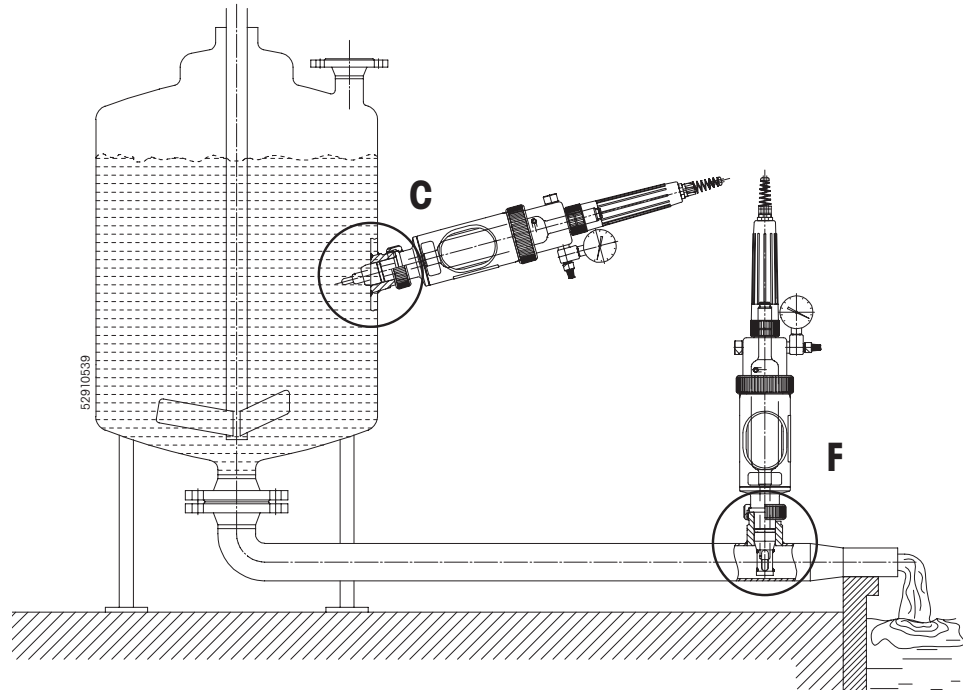
Possible installations



Admissible mounting positions InFit 761 e

- A** Vertical installation with cap nut
- B** Vertical installation with NPSM or NPT outside thread (only for sensor holders type «Y»)
- C** Lateral installation with cap nut
- D** Pipe installation with Tri-Clamp- or Varivent adaption
- E** Pipe installation with NPT outside thread (only for sensor holders type «K»)
- F** Pipe installation with cap nut

Possible installations



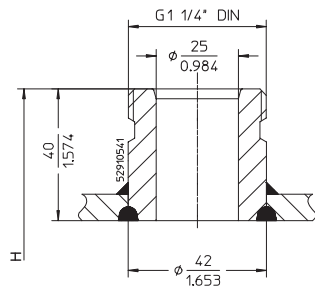
Admissible mounting positions InFit 764 e

- C** Lateral installation with cap nut
- F** Pipe installation with cap nut

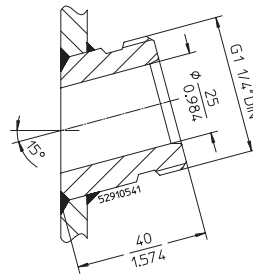
Process connections

- 1) Cap nut G 1 1/4" height = 18 mm for weld-in socket
L = 40/DN25/straight/1.4435 (page 9 – detail F)
- 2) Cap nut G 1 1/4" height = 18 mm for weld-in socket
L = 40/DN25/inclined/1.4435 (page 9 – detail C)
- 3) Cap nut G 1 1/4" height = 22 mm for safety weld-in socket
L = 47/DN25/straight/1.4435 (page 9 – detail F)
- 4) Cap nut G 1 1/4" height = 22 mm for safety weld-in socket
L = 40/DN25/inclined/1.4435 (page 9 – detail C)
- 5) Cap nut M26x1 for threaded socket L = 40/DN19/straight/1.4435 (page 9 – detail A)
- 6) 3/4" R/NPSM outside thread (sensor holder type «Y») (page 9 – detail B)
- 7) 3/4" NPT outside thread (sensor holder type «Y») (page 9 – detail B)
- 8) 3/4" NPT outside thread (sensor holder type «K») (page 9 – detail E)
- 9) 1" NPT outside thread (sensor holder type «Y») (page 9 – detail B)
- 10) Tri-Clamp adaption 1.5" and 2" straight, 1.5" or 2" inclined (page 9 – detail D)
- 11) Varivent flange straight DN50 (page 9 – detail D)
Varivent flange inclined DN50 (page 9 – detail D)

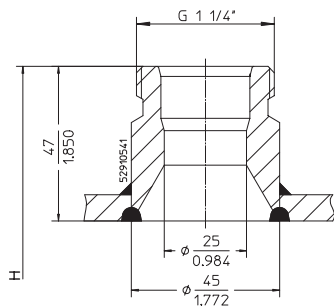
1) Weld-in socket
DN 25 straight



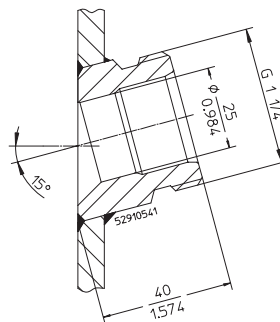
2) Weld-in socket
DN 25 inclined



3) Safety weld-in socket
DN 25 straight

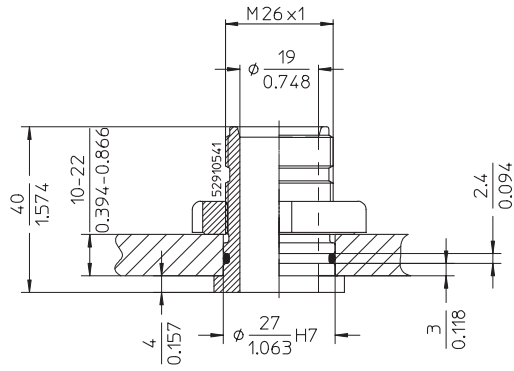


4) Safety weld-in socket
DN 25 inclined

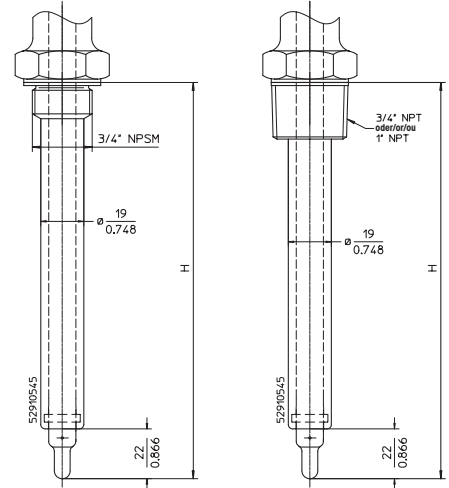


Process connections

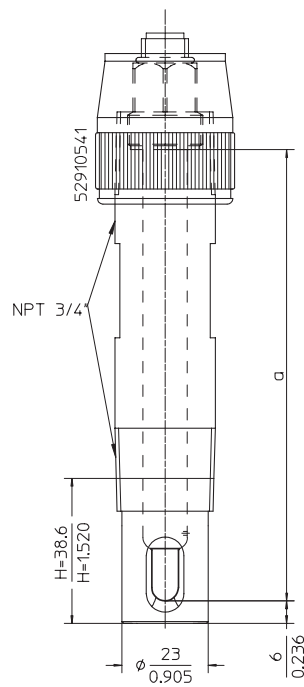
- 5) Threaded socket
DN 19 straight



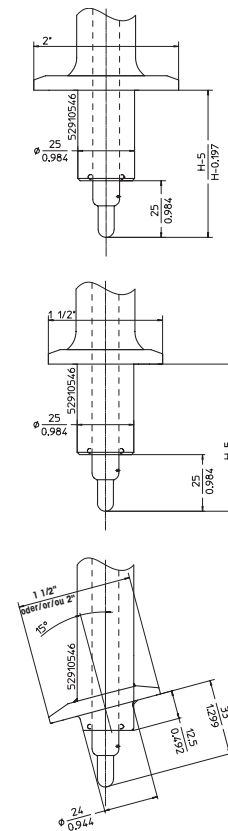
- 6, 7 and 9) Outside thread
3/4" R/NPSM, 3/4" NPT or 1" NPT



- 8) Outside thread NPT 3/4"

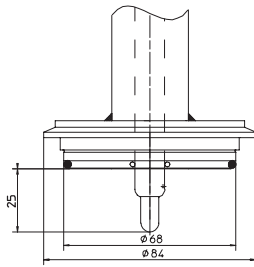


- 10) Tri-Clamp 1.5" straight (top)
Tri-Clamp 2" straight (middle)
Tri-Clamp 1.5" or 2" inclined (bottom)

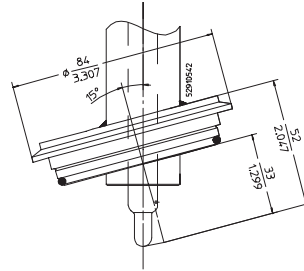


Process connections

11) Varivent flange
DN 50 straight



11) Varivent flange
DN 50 inclined



Technical specifications InFit 761 e

Note: the technical specifications of the installed sensor must be taken into consideration.

Ambient conditions

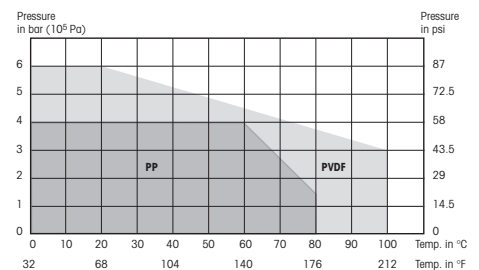
Temperature 0...70 °C

Process conditions

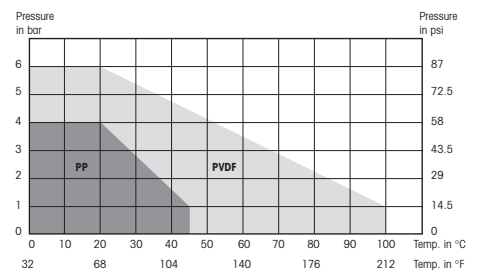
Housing **Material** **Max. admissible pressure [PS] / [TS]: (linear relation with plastic housings)**

InFit 761/*S DIN 1.4435
DIN 2.4602/AISI Alloy C22, Ti 16 bar / 140 °C

PP
PVDF



InFit 761/WK PP
PVDF



InFit 761/NC DIN 1.4435
DIN 2.4602/AISI Alloy C22, Ti 16 bar / 140 °C

InFit 761/*Y DIN 1.4435
DIN 2.4602/AISI Alloy C22, Ti 6 bar / 140 °C

PVDF 6 bar / 20 °C
1 bar / 100 °C

Immersion length Immersion lengths and appropriate sensor lengths see section «Suitable electrodes/sensors» page 17

Wetted materials DIN 1.4435,
DIN 2.4602/Alloy C22, titanium
PP, PVDF

Wetted seals Silicone (MVQ)-FDA USP Class VI
Viton® (FKM)-FDA,
EPDM-FDA,
Kalrez®(FFKM)-FDA USP Class VI

Non-wetted materials	handle complete: Polypropylene (PP antistatic)
Weight	approx. 0.5 kg
Pressure information	According to PED 97/23/CE Article 1, Section 2.2: «Pressure» is referenced to atmospheric pressure, e.g. an overpressure. Accordingly, a pressure in the vacuum region will be expressed as a negative pressure.
Explosion protection (Applicable for all housings with wetted parts made of metal)	according to ATEX directives (94/9/EG): ⊕ II 1/2 GD IIC T6/T5/T4/T3 IP6X T 69 °C/T 81 °C/T 109 °C/T 161 °C SNCH 03 ATEX 3590 X according to FM directives: IS CL I,II,III, Div 1, GR ABCDEFG/T6
Certificates / approvals	<ul style="list-style-type: none"> • Declaration of conformity CE for Pressure equipment directive (PED) 97/23/CE and ATEX 94/9/CE • Certificate of compliance with directive EN10204-2.1 • Inspection certificate 3.1B • Certificate for ATEX 94/9/CE • FM certificate • EHEDG certificate • 3A certificate • MaxCert™
Appropriate types of electrodes	see section «Suitable electrodes / sensors» on page 17

For more detailed information regarding electrodes and sensors please refer to the corresponding data sheets or contact your METTLER TOLEDO representative.

Technical specifications InFit 764 e

Note: the technical specifications of the installed sensor must be taken into consideration.

Ambient conditions

Temperature	0...70 °C
-------------	-----------

Process conditions

Housing	Material	Max. admissible pressure [PS] / [TS]: (linear relation with plastic housings)
InFit 764	DIN 1.4435	6 bar / 130 °C
	DIN 2.4602/AISI Alloy C22, Ti	
	PVDF	6 bar / 20 °C 1 bar / 110 °C

Immersion length	Immersion lengths and appropriate sensor lengths see section «Suitable electrodes/sensors» page 18
-------------------------	--


Wetted materials	DIN 1.4435, DIN 2.4602/Alloy C22, titanium, PVDF
-------------------------	---

Wetted seals	Silicone (MVQ)-FDA USP Class VI Viton® (FKM)-FDA, EPDM-FDA, Kalrez®(FFKM)-FDA USP Class VI
---------------------	---

Non-wetted materials	Top piece: nickel-plated brass,, Polypropylene (PP) antistatic Cylinder: glass Saddle: Teflon® Handle complete: Polypropylene (PP) antistatic
-----------------------------	---

Weight	approx. 2 kg
---------------	--------------

Pressure information According to PED 97/23/CE Article 1, Section 2.2:
«Pressure» is referenced to atmospheric pressure, e.g. an overpressure.
Accordingly, a pressure in the vacuum region will be expressed as a negative pressure.

Explosion protection according to ATEX directives (94/9/EG):
(Applicable for all housings with wetted parts made of metal)  II 1/2 GD IIC T6/T5/T4/T3
IP6X T 69 °C/T 81 °C/T 109 °C/T 161 °C
SNCH O3 ATEX 3590 X
according to FM directives:
IS CL I,II,III, Div 1, GR ABCDEFG/T6

Certificates / approvals

- Declaration of conformity CE for Pressure equipment directive (PED) 97/23/CE and ATEX 94/9/CE
- Certificate of compliance with directive EN10204-2.1
- Inspection certificate 3.1B
- Certificate for ATEX 94/9/CE
- FM certificate
- 3A certificate
- MaxCert™

Appropriate types of electrodes see section «Suitable electrodes/sensors» on page 18

For more detailed information regarding electrodes and sensors please refer to the corresponding data sheets or contact your METTLER TOLEDO representative.

Suitable electrodes/sensors InFit 761 e

Concise overview of electrode and sensor length in relation to the length of the housing (immersion length = H).

InFit 761 e

H = Immersion length	a-Length of the electrodes/sensors
H = 25 mm, H = 33 mm, H = 40 mm, H = 70 mm	120 mm
pH	DPA/DPAS, DXK, InPro 3030, InPro 3100, InPro 3200, InPro 3250, InPro 3300, InPro 4010, InPro 4250, InPro 4800
Oxygen	InPro 6050, InPro 6800, InPro 6900
CO ₂	InPro 5000
Conductivity	InPro 7001-VP
Turbidity	InPro 8050, InPro 8100, InPro 8200
H = 100 mm	150 mm (pH)
pH	DPA/DPAS, DXK, InPro 3030, InPro 3100, InPro 3200, InPro 3250, InPro 3300, InPro 4010, InPro 4800
H = 175 mm	205 mm (turbidity), 220 mm (oxygen, CO ₂) or 225 mm (pH, conductivity)
pH	DPA/DPAS, DXK, InPro 3030, InPro 3100, InPro 3200, InPro 3250, InPro 3300, InPro 4800
Oxygen	InPro 6800, InPro 6900
CO ₂	InPro 5000
Conductivity	InPro 7001-VP
Turbidity	InPro 8100, InPro 8200
H = 275 mm	297 mm (turbidity), 320 mm (oxygen, CO ₂) or 325 mm (pH)
pH	DPA/DPAS, DXK, InPro 3030, InPro 3100, InPro 3200, InPro 3250, InPro 3300, InPro 4800
Oxygen	InPro 6800, InPro 6900
CO ₂	InPro 5000
Turbidity	InPro 8100, InPro 8200
H = 375 mm	407 mm (turbidity), 420 mm (CO ₂) or 425 mm (pH)
pH	DPA/DPAS, DXK, InPro 3030, InPro 3100, InPro 3200, InPro 3250, InPro 3300, InPro 4800
Oxygen	InPro 6800, InPro 6900
Turbidity	InPro 8100, InPro 8200

Note: for more information on the wide range of available METTLER TOLEDO electrodes and sensors please contact your METTLER TOLEDO representative.

Suitable electrodes/sensors InFit 764 e

InFit 764 e

H = Immersion length	a-Length of the electrodes/sensors
H = 70 mm	120 mm
pH	(HA, HF, LoT) 465-50, InPro 2000
Redox	Pt4865-50
H = 100 mm	150 mm
pH	(HA, HF, LoT) 465-50, InPro 2000
Redox	Pt4865-50
H = 150 mm	200 mm
pH	(HA, HF, LoT) 465-50, InPro 2000
Redox	Pt4865-50
H = 200 mm	250 mm
pH	(HA, HF, LoT) 465-50, InPro 2000
Redox	Pt4865-50

Ordering information**InFit 76X e Series**

InFit 761 e	Designation	Order no.
	InFit 761/NC/0070/4435/D00/Si9-	52 400 491
	InFit 761/NC/0070/4435/T01/Si--	52 400 494
	InFit 761/NC/0070/4435/T02/Si--	52 400 495
	InFit 761/NC/0033/4435/V02/Si--	52 400 502
	InFit 761/NS/0070/4435/D00/Si9-	00 761 3093IG
	InFit 761/NS/0175/4435/D00/Si9-	00 761 3094IG
	InFit 761/WS/0070/4435/D00/Si9-	00 761 3043IG
	InFit 761/WS/0070/4435/D00/EP9-	00 761 3121IG
	InFit 761/WS/0100/4435/D00/Si9-	00 761 3089IG
	InFit 761/WS/0175/4435/D00/Si9-	00 761 3074IG
	InFit 761/WS/0070/4435/D10/Vi2-	00 761 3042IG
	InFit 761/NS/0070/PP--/D00/Vi9-	52 400 316
	InFit 761/NS/0070/PVDF/D00/Vi9-	52 400 311
	InFit 761/WK/0040/PP--/N04/Vi--	52 403 478
	InFit 761/WK/0040/PVDF/N04/Vi--	52 401 520

InFit 764 e	Designation	Order no.
	InFit 764/NC/0070/4435/D00/Si9-	52 400 497
	InFit 764/NS/0070/4435/D11/Si4-	00 764 3143IG
	InFit 764/NS/0100/4435/D11/Si4-	00 764 3145IG
	InFit 764/NS/0150/4435/D11/Si4-	00 764 3147IG
	InFit 764/NS/0200/4435/D11/Si4-	00 764 3149IG
	InFit 764/WS/0070/4435/D11/Si4-	00 764 3141IG
	InFit 764/WS/0070/4435/D11/Ka4-	00 764 3253IG
	InFit 764/NS/0070/PVDF/D11/Vi4-	00 764 3189IG
	InFit 764/WS/0070/PVDF/D11/Vi4-	00 764 3193IG
	InFit 764/NS/0150/PVDF/D11/Vi4-	00 764 3191IG

All other configurations can be ordered according to the product key found on page 19.

Spare parts	Designation	Order no.
	O-ring set Si USP 76X e	52 403 459
	O-ring set Ep FDA 76X e	52 403 460
	O-ring set Vi FDA 76X e	52 403 461
	O-ring set Ka USP 76X e (ø 25 mm shaft)	52 403 462
	O-ring set Ka USP 76X e (ø 19 mm shaft)	52 403 504
	Antiknick cable gland Pg 16	52 403 470
	Cable grommet set 5 mm / 7 mm	52 403 463
	Cap nut G 1 1/4" (NPSM), Ms D21, height = 18 mm	00 764 1047IG
	Cap nut G 1 1/4" (NPSM), Ms for sensor holder type «C»	00 764 1323IG
	Protective tube InFit 76X e	52 403 465
Replacement set for InFit 761 e only:		
	Protective tube long 761 e	52 403 464
	Adapter InFit 761/WK	52 403 466
Replacement set for InFit 764 e only:		
	Adapter cpl. with gasket 764 e	52 403 468
	Teflon bushing	00 764 1053IG
	Glass cylinder	00 764 1064IG
	Flat gasket set 764 e	52 403 523
	Top piece complete 7XX	52 403 524
	Manometer 0...6 bar complete	00 764 2045IG
	Pressure connection set	20 102 2000IG
	Valve insert	20 102 1001IG

Accessories	Designation	Order no.
	Weld-in socket	
	Weld-in socket L=40/DN25/inclined/1.4435	00 764 1014IG
	Weld-in socket L=48/DN25/inclined/1.4435	00 764 1015IG
	Weld-in socket L=55/DN25/inclined/1.4435	00 764 1016IG
	Weld-in socket L=40/DN25/straight/1.4435	00 764 1017IG
	Weld-in socket L=50/DN25/straight/1.4435	00 764 1018IG
	Weld-in socket L=60/DN25/straight/1.4435	00 764 1019IG
	Threaded socket L=40/DN19/1.4435	00 764 2036IG
	Threaded socket L=44/DN19/1.4435	00 764 2037IG
	Safety weld-in socket L=47/DN25/straight/1.4435	52 400 518
	Safety weld-in socket L=40/DN25/inclined/1.4435	52 400 462
	Weld-in socket L=40/DN25/inclined/Alloy C22	00 764 1352IG
	Weld-in socket L=40/DN25/straight/Alloy C22	00 764 1342IG
	Weld-in socket L=40/DN25/straight/PVDF	00 764 1224IG
	Weld-in socket L=40/DN25/inclined/PVDF	00 764 1226IG
	Weld-in socket L=40/DN25/straight/PP	52 401 254
	Weld-in socket L=40/DN25/inclined/PP	52 401 257
	Blind plug	
	Blind plug DN25 L=40/inclined/1.4435/Silicone USP	00 764 2022IG
	Blind plug DN25 L=48/inclined/1.4435/Silicone USP	00 764 2023IG
	Blind plug DN25 L=55/inclined/1.4435/Silicone USP	00 764 2024IG
	Blind plug DN25 L=40/straight/1.4435/Silicone USP	00 764 2026IG
	Blind plug DN25 L=50/straight/1.4435/Silicone USP	00 764 2027IG
	Blind plug DN25 L=60/straight/1.4435/Silicone USP	00 764 2028IG
	Blind plug DN19 L=42/straight/1.4435	00 764 2040IG
	Safety blind plug DN25/L=30/1.4435/Silicone USP	52 400 464
	Blind plug DN25 L=40/inclined/Alloy C22/Kalrez® USP	00 764 2187IG
	Blind plug DN25 L=40/straight/Alloy C22/Kalrez® USP	00 764 2209IG
	Blind plug DN25 L=40/straight/Alloy C22/Viton®-FDA	00 764 2029IG
	Blind plug DN25 L=40/inclined/PVDF/Viton®-FDA	00 764 2094IG
	Protective cage	
	Protective cage for immersion length H>=100 mm/1.4435	00 764 1046IG
	Protective cage for immersion length H>=100 mm/Alloy C22	52 402 858
	Protective cage for immersion length H>=100 mm/titanium	00 764 1395IG

Further accessories on request at your local METTLER TOLEDO representative.

Additional documentation

Operating instructions InFit 761 e/764 e (German)	52 403 383
Operating instructions InFit 761 e/764 e (English)	52 403 547
Operating instructions InFit 761 e/764 e (French)	52 403 548

For further information contact your local METTLER TOLEDO representative.

Sales and Service:

Australia

Mettler-Toledo Ltd.
220 Turner Street
Port Melbourne
AUS - 3207 Victoria
Phone +61 31300 659 761
Fax +61 3 9645 3935
e-mail mtausprocess@mt.com

Austria

Mettler-Toledo GmbH
Südrandstrasse 17
AT - 1230 Wien
Phone +43 1 604 19 80
Fax +43 1 604 28 80
e-mail infoprocess.mtat@mt.com

Brazil

Mettler-Toledo Ind. e Com. Ltda.
Alameda Araguaia
451 - Alphaville
BR - 06455-000 Barueri/SP
Phone +55 11 4166 74 00
Fax +55 11 4166 74 01
e-mail sales@mettler.com.br
service@mettler.com.br

China

Mettler-Toledo Instruments
(Shanghai) Co. Ltd.
589 Gui Ping Road
Cao He Jing
CN - 200233 Shanghai
Phone +86 21 64 85 04 35
Fax +86 21 64 85 33 51
e-mail mtfcs@public.sta.net.cn

Croatia

Mettler-Toledo d.o.o.
Mandlova 3
HR - 10000 Zagreb
Phone +385 1 292 06 33
Fax +385 1 295 81 40
e-mail mt-zagreb@mt.com

Czech Republic

Mettler-Toledo spol s.r.o.
Trebohosticka 2283/2
CZ - 100 00 Praha 10
Phone +420 2 72 123 150
Fax +420 2 72 123 170
e-mail sales.mtcz@mt.com

Denmark

Mettler-Toledo A/S
Naverland 8
DK - 2600 Glostrup
Phone +45 43 27 08 00
Fax +45 43 27 08 28
e-mail info.midk@mt.com

France

Mettler-Toledo
Analyse Industrielle Sàrl
30, Boulevard de Douaumont
BP 949
F - 75829 Paris Cedex 17
Phone +33 1 47 37 06 00
Fax +33 1 47 37 46 26
e-mail mtpro-f@mt.com

Germany

Mettler-Toledo GmbH
Prozeßanalytik
Ockerweg 3
D - 35396 Gießen
Phone +49 641 507 333
Fax +49 641 507 397
e-mail prozess@mt.com

Great Britain

Mettler-Toledo LTD
64 Boston Road, Beaumont Leys
GB - LE4 1AW Leicester
Phone +44 116 235 7070
Fax +44 116 236 5500
e-mail enquire.mtuk@mt.com

Hungary

Mettler-Toledo Kereskedelmi KFT
Teve u. 41
HU - 1139 Budapest
Phone +36 1 288 40 40
Fax +36 1 288 40 50
e-mail mthu@axelero.hu

India

Mettler-Toledo India Private Limited
Amar Hill, Saki Vihar Road
Powai
IN - 400 072 Mumbai
Phone +91 22 2857 0808
Fax +91 22 2857 5071
e-mail sales.mtin@mt.com

Italy

Mettler-Toledo S.p.A.
Via Vialba 42
I - 20026 Novate Milanese
Phone +39 02 333 321
Fax +39 02 356 2973
e-mail customercare.italia@mt.com

Japan

Mettler-Toledo K.K.
Process Division
5F Tokyo Ryutsu Center, Annex B
6-1-1 Heiwajima, Ohta-ku
JP - 143-0006 Tokyo
Phone +81 3 5762 07 06
Fax +81 3 5762 09 71
e-mail helpdesk.ing.jp@mt.com

Malaysia

Mettler-Toledo (M) Sdn Bhd
Bangunan Electrocon Holding
Lot 8 Jalan Astaka U8/84
Seksyen U8, Bukit Jelutong
MY - 40150 Shah Alam Selangor
Malaysia
Phone +60 3 78 45 57 73
Fax +60 3 78 45 87 73
e-mail ahmad.rashidi@mt.com

Mexico

Mettler-Toledo S.A. de C.V.
Pino No. 350, Col. Sta.
MA. Insurgentes, Col Atlampa
MX - 06450 México D.F.
Phone +52 55 55 47 57 00
Fax +52 55 55 41 22 28
e-mail mario.roca@mt.com

Poland

Mettler-Toledo (Poland) Sp.z.o.o.
ul. Poleczki 21
PL - 02-822 Warszawa
Phone +48 22 545 06 80
Fax +48 22 545 06 88
e-mail polska@mt.com

Russia

Mettler-Toledo Vostok ZAO
Sretenskij Bulvar 6/1
Office 6
RU - 101000 Moscow
Phone +7 095 921 92 11
Fax +7 095 921 63 53
+7 095 921 78 68
e-mail inforus@mt.com

Singapore

Mettler-Toledo (S) Pte. Ltd.
Block 28
Ayer Rajah Crescent #05-01
SG - 139959 Singapore
Phone +65 6890 00 11
Fax +65 6890 00 12
+65 6890 00 13
e-mail ashley.kong@mt.com

Slovakia

Mettler-Toledo s.r.o.
Bulharska 61
SK - 82104 Bratislava
Phone +421 243 42 74 96
Fax +421 243 33 71 90
e-mail predaj@mt.com

Slovenia

Mettler-Toledo d.o.o.
Peske 12
SI - 1236 Trzin
Phone +386 1 530 80 50
Fax +386 1 562 17 89
e-mail cipot@mtslo.mt.com
racman@mettler-toledo.si

South Korea

Mettler-Toledo (Korea) Ltd.
Yeil Building 1 & 2 F
124-5, YangJe-Dong
SeCho-Ku
KR - 137-130 Seoul
Phone +82 2 3498 3500
Fax +82 2 3498 3556
e-mail Sales_MTKR@mt.com

Spain

Mettler-Toledo S.A.E.
C/ Miguel Hernández, 69-71
ES - 08908 L'Hospitalet de Llobregat
(Barcelona)
Phone +34 93 223 76 00
Fax +34 93 223 76 01
e-mail bcn.centralita@mt.com

Sweden

Mettler-Toledo AB
Virkesvägen 10
Box 92161
SE - 12008 Stockholm
Phone +46 8 702 50 00
Fax +46 8 642 45 62
e-mail sales.mts@mt.com

Switzerland

Mettler-Toledo (Schweiz) AG
Im Langacher
Postfach
CH - 8606 Greifensee
Phone +41 44 944 45 45
Fax +41 44 944 45 10
e-mail info.ch@mt.com
info.ola.ch@mt.com

Thailand

Mettler-Toledo (Thailand) Ltd.
272 Soi Soonvijai 4
Rama 9 Rd., Bangkok
Huay Kwang
TH - 10320 Bangkok
Phone +66 2 723 03 00
Fax +66 2 719 64 79
e-mail mettler@samart.co.th

USA/Canada

Mettler-Toledo Ingold, Inc.
36 Middlesex Turnpike
Bedford, MA 01730, USA
Phone +1 781 301 8800
Toll free +1 800 352 8763
Fax +1 781 271 0681
e-mail mtprou@mt.com
ingold@mt.com



Management System
certified according to
ISO 9001 / ISO 14001

Subject to technical changes.
© Mettler-Toledo GmbH, Process Analytics
01/06 Printed in Switzerland. 52 403 501

Mettler-Toledo GmbH, Process Analytics
Industrie Nord, CH - 8902 Urdorf, Switzerland
Phone + 41 44 729 62 11, Fax +41 44 729 66 36

www.mtpro.com