

# InPro® 7250 Series

Highly resistant inductive conductivity sensors for applications in the chemical and pulp & paper industry as well as in the field of industrial effluent treatment

## Technical data

---



InPro 7250

### Short description

The new InPro 7250 Series of inductive conductivity sensors from METTLER TOLEDO is designed for in-line measurements of conductivity/concentration levels of acids, bases and salts in liquid media. Main fields of application are in the chemical industry (CPI), pulp and paper processes, as well as monitoring industrial effluents.

### Outstanding features are:

- attractive price/performance ratio
- highest measuring accuracy
- measurement range 0...2000 mS/cm
- integrated temperature sensor
- temperature-resistant up to 180 °C (356 °F)
- PFA-version for heavy-duty chemical applications
- approval for use in hazardous zones
- for operation on conjunction with «Advanced and Premium Line» METTLER TOLEDO transmitters

## Content

Specifications	2
Dimensional drawings	3
Ordering information	6
Recommended METTLER TOLEDO process adapters	6
Recommended METTLER TOLEDO transmitters	7
Spare parts	7

**METTLER TOLEDO**

Sensor specifications InPro 7250 series

	InPro 7250 ST / HT	InPro 7250 PFA
Measuring principle	inductive	inductive
<b>Sensor data</b>		
Measuring range	0...2000 mS/cm	0...2000 mS/cm
Measurement value deviation	ST: ± (0.5 % of measured value + 25 µS) HT: ± (0.5% of measured value + 1 µS)	± (0.5% of measured value + 25 µS)
Cell factor nominal <sup>1)</sup>	2.175	2.30
Transfer ratio	120	120
Temperature sensor	Pt 1000	Pt 1000
Temperature response (t <sub>90</sub> )	approx. 5 min	approx. 5 min
<b>Ambient conditions <sup>2)</sup></b>		
Process temperature (outside Ex range)	ST: -20 °C...+100 °C (-4 °F...+212 °F) HT: -20 °C...+180 °C (-4 °F...+356 °F)	-20 °C...+125 °C (-4 °F...+257 °F)
Process temperature (within Ex range)	ST: - HT: -20 °C...+130 °C (-4 °F...+266 °F)	-20 °C...+125 °C (-4 °F...+257 °F)
Process pressure <sup>3)</sup>	ST: max. 8 bar (max. 116 psi) HT: max. 20 bar (max. 290 psi)	max. 16 bar (max. 232 psi)
<b>Sensor materials</b>		
Sensor (medium wetted) <sup>4)</sup>	PEEK glass filled (GF30)	PFA not glass filled
Sensor mounting thread (G 3/4")	stainless steel	stainless steel
O-ring	Viton®	FEP
Flat gasket	Viton®	PTFE
<b>Cable</b>		
Type	ST: single coaxial cable HT: double coaxial cable	single coaxial cable
Cable jacket	ST: PVC HT: silicone	PVC
Available cable lengths	3, 5 and 10 m (9.8, 16.4 and 32.8 ft)	3, 5 and 10 m (9.8, 16.4 and 32.8 ft)
<b>Approvals and certificates</b>		
ATEX	ST: - HT: •	- •
FM	ST: - HT: •	- •
Quality/End control	•	•

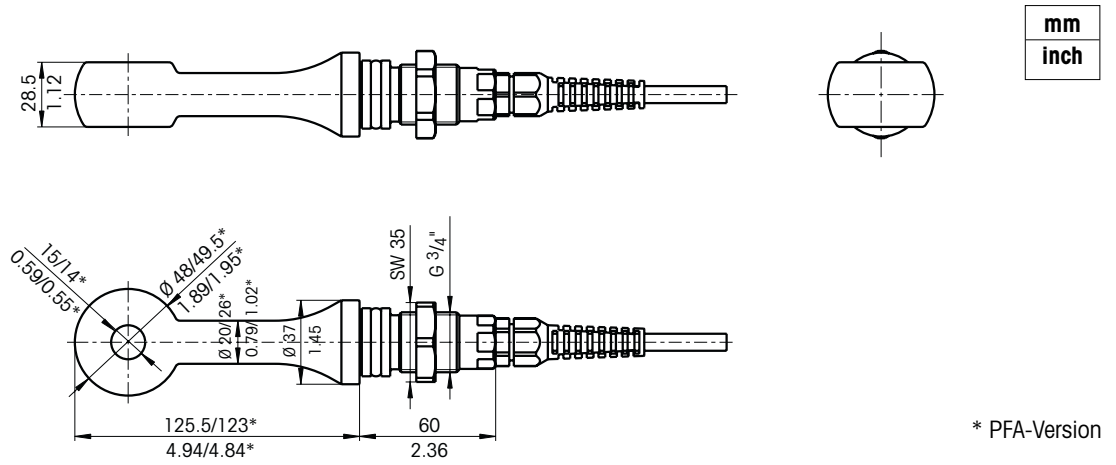
1) This value depends on the installation. The exact value must be determined with a calibration.

2) The combination of high pressure, high temperature and/or aggressive process medium might reduce the sensor life time.

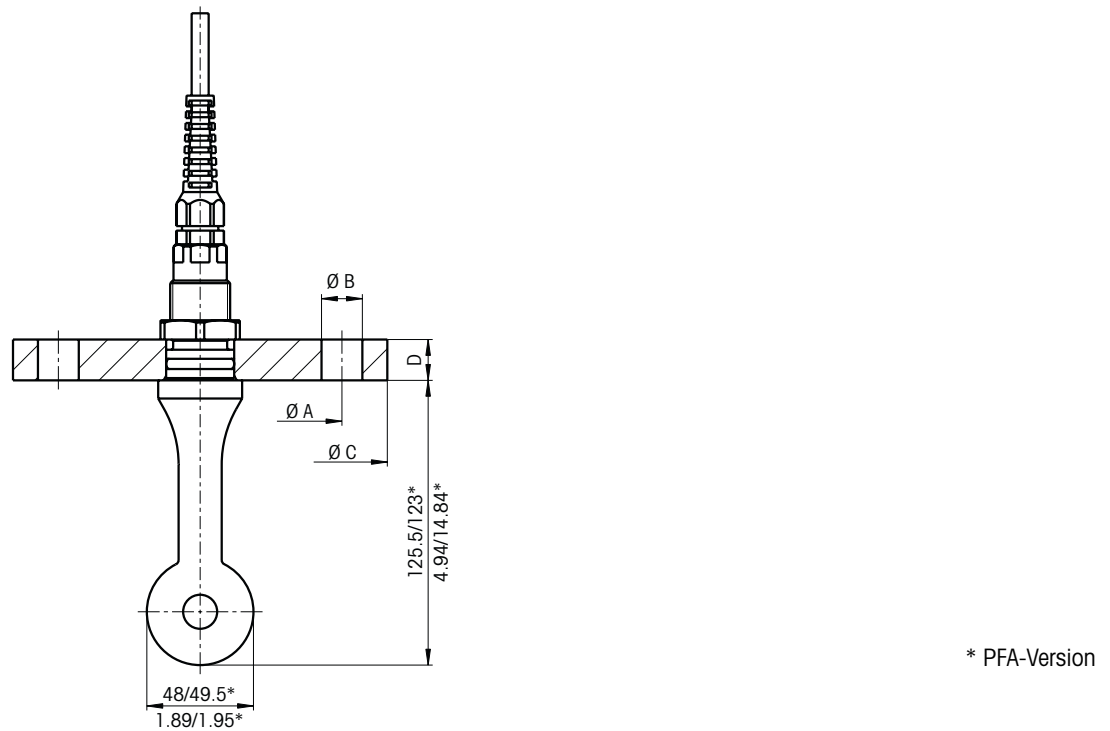
3) Depending on the installation.

4) This material is not FDA listed.

InPro 7250 series - sensor dimensions

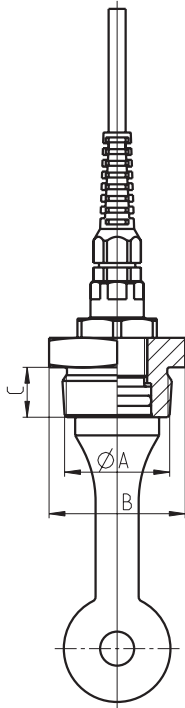


InPro 7250 series - flange dimensions



Designation	Ø A	Ø B	Ø C	D
Flange DN50/PN16	125 (4.92")	4x18 (0.71")	165 (6.50")	18 (0.71")
Flange DN100/PN16	180 (7.09")	8x18 (0.71")	220 (8.66")	20 (0.79")
Flange ANSI 2"	120.7 (4.75")	4x19.1 (0.75")	152.4 (6.00")	19.1 (0.75")
Flange ANSI 3"	152.4 (6.00")	4x19.1 (0.75")	190.5 (7.50")	23.9 (0.94")

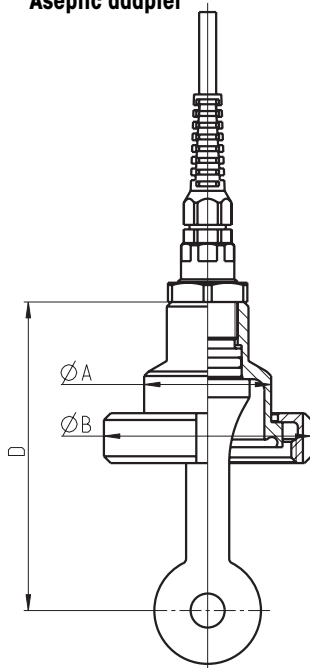
InPro 7250 series - bushing dimensions



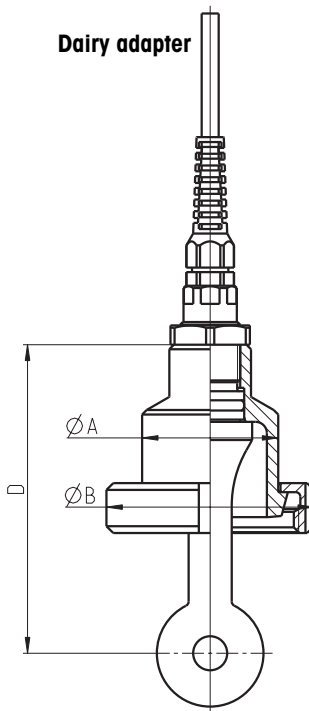
Designation	Ø A	B	C
Threaded bushing R 1 1/2"	R 1 1/2"	SW60	22 (0.87")
Threaded bushing R 1 1/2" PVDF	R 1 1/2"	SW60	22 (0.87")
Threaded bushing R 2"	R 2"	SW75	24 (0.95")
Threaded bushing R 2" PVDF	R 2"	SW75	24 (0.95")
Threaded bushing 1 1/2" NPT	1 1/2" NPT	SW60	22 (0.87")
Threaded bushing 1 1/2" NPT PVDF	2" NPT	SW60	22 (0.87")
Threaded bushing 2" NPT	2" NPT	SW75	24 (0.95")
Threaded bushing 2" NPT PVDF	2" NPT	SW75	24 (0.95")

InPro 7250 series - sanitary adapter dimensions

Aseptic adapter

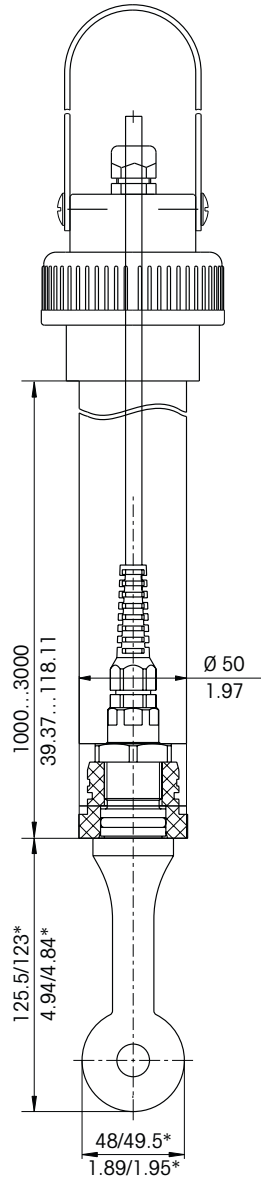


Dairy adapter



Designation	DIN	Ø A	Ø B	D
Dairy adapter DN50	11851	60 (2.36")	92 (3.62")	136 (5.35")
Aseptic adapter DN50	11864-1	56 (2.20")	92 (3.62")	136 (5.35")

InPro 7250 series - InDip 550 Ind



\* PFA-Version

Designation
InDip 550Ind PVC (1000...3000 mm/ 39.37...118.11")
InDip 550Ind PVDF (1000...3000 mm/ 39.37...118.11")

## Sensors InPro 7250 series

Designation	Order no.
InPro 7250ST/Pt1000/3 m	52 002 736
InPro 7250ST/Pt1000/5 m	52 002 737
InPro 7250ST/Pt1000/10 m	52 002 738
InPro 7250HT/Pt1000/3 m	52 002 739
InPro 7250HT/Pt1000/5 m	52 002 740
InPro 7250HT/Pt1000/10 m	52 002 741
InPro 7250PFA/Pt1000/3 m	52 005 423
InPro 7250PFA/Pt1000/5 m	52 005 424
InPro 7250PFA/Pt1000/10 m	52 005 425

## Recommended process adapters

Flanges	
Flange DN 50/PN 16	52 403 565
Flange DN 100/PN 16	52 403 566
Flange ANSI 2"	52 403 567
Flange ANSI 3"	52 403 569

Threaded bushings	
Threaded bushing R 1 1/2"	52 403 446
Threaded bushing R 1 1/2" PVDF	52 403 447
Threaded bushing R 2"	52 403 448
Threaded bushing R 2" PVDF	52 403 449
Threaded bushing 1 1/2" NPT	52 403 450
Threaded bushing 1 1/2" NPT PVDF	52 403 451
Threaded bushing 2" NPT	52 403 452
Threaded bushing 2" NPT PVDF	52 403 453

Sanitary adapters	
Dairy adapter DN 50	52 403 583
Aseptic adapter DN 50	52 403 584

Housings	
InDip 550Ind	various*

\* Please note that the InDip 550 is available in a wide variety of materials and lengths. Please refer to the technical data of the InDip 550 or ask your local METTLER TOLEDO representative.

## Recommended transmitters

Designation	Type*
<b>M 700(X), Modul Cond Ind 7700(X)</b>	«Premium Line» transmitter, modular measuring system
<b>Cond Ind 7100 e</b>	«Advanced Line» transmitter, 4-wire
<b>Cond Ind 7100 e/2(X)H</b>	«Advanced Line» transmitter, 2-wire with HART® interface, Ex proof
<b>Cond Ind 7100 e FF</b>	«Advanced Line» transmitter, with FOUNDATION Fieldbus interface, Ex proof
<b>Cond Ind 7100 PA</b>	«Advanced Line» transmitter, with Profibus® PA interface, Ex proof

\* For more information and order numbers, please refer to the technical data of the «Premium Line» and «Advanced Line» transmitters or ask your local METTLER TOLEDO representative.

## Spare parts

Designation	Order no.
O-ring Viton®	52 750 171
Flat gasket Viton®	52 403 432
Hexagon nut (stainless steel)	52 403 433
O-ring FEP	52 750 192
Flat gasket PTFE	52 403 833

## Sales and Service:

### Australia

Mettler-Toledo Ltd.  
220 Turner Street  
Port Melbourne  
AUS-3207 Melbourne/VIC  
Phone +61 1300 659 761  
Fax +61 3 9645 3935  
e-mail info.mtaus@mt.com

### Austria

Mettler-Toledo Ges.m.b.H.  
Südrandstraße 17  
A-1230 Wien  
Phone +43 1 607 43 56  
Fax +43 1 604 28 80  
e-mail infoprocess.mtat@mt.com

### Brazil

Mettler-Toledo Ind. e Com. Ltda.  
Alameda Araguaia, 451  
Alphaville  
BR-06455-000 Barueri/SP  
Phone +55 11 4166 7444  
Fax +55 11 4166 7401  
e-mail mettler@mettler.com.br  
service@mettler.com.br

### China

Mettler-Toledo Instruments  
(Shanghai) Co. Ltd.  
589 Gui Ping Road  
Cao He Jing  
CN-200233 Shanghai  
Phone +86 21 64 85 04 35  
Fax +86 21 64 85 33 51  
e-mail mtcs@public.sta.net.cn

### Croatia

Mettler-Toledo d.o.o.  
Mandlova 3  
HR-10000 Zagreb  
Phone +385 1 292 06 33  
Fax +385 1 295 81 40  
e-mail mt.zagreb@mt.com

### Czech Republic

Mettler-Toledo s.r.o.  
Třebostická 2283/2  
CZ-100 00 Praha 10  
Phone +420 2 72 123 150  
Fax +420 2 72 123 170  
e-mail sales.mtcz@mt.com

### Denmark

Mettler-Toledo A/S  
Naverland 8  
DK-2600 Glostrup  
Phone +45 43 27 08 00  
Fax +45 43 27 08 28  
e-mail info.midk@mt.com

### France

Mettler-Toledo  
Analyse Industrielle S.A.S.  
30, Boulevard de Douaumont  
BP 949  
F-75829 Paris Cedex 17  
Phone +33 1 47 37 06 00  
Fax +33 1 47 37 46 26  
e-mail mtpro-f@mt.com

### Germany

Mettler-Toledo GmbH  
Prozeßanalytik  
Ockerweg 3  
D-35396 Gießen  
Phone +49 641 507 333  
Fax +49 641 507 397  
e-mail prozess@mt.com

### Great Britain

Mettler-Toledo LTD  
64 Boston Road, Beaumont Leys  
GB-Leicester LE4 1AW  
Phone +44 116 235 7070  
Fax +44 116 236 5500  
e-mail enquire.mtuk@mt.com

### Hungary

Mettler-Toledo Kereskedelmi KFT  
Teve u. 41  
HU-1139 Budapest  
Phone +36 1 288 40 40  
Fax +36 1 288 40 50  
e-mail mthu@t-online.hu

### India

Mettler-Toledo India Private Limited  
Amar Hill, Saki Vihar Road  
Powai  
IN-400 072 Mumbai  
Phone +91 22 2803 1111  
Fax +91 22 2857 5071  
e-mail sales.mtin@mt.com

### Italy

Mettler-Toledo S.p.A.  
Via Vialba 42  
I-20026 Novate Milanese  
Phone +39 02 333 321  
Fax +39 02 356 2973  
e-mail customercare.italia@mt.com

### Japan

Mettler-Toledo K.K.  
Process Division  
4F Izumikan Sanbancho Bldg.  
3-8 Sanbancho  
Chiyoda-ku  
JP-102-0075 Tokyo  
Tel. +81 3 3222 7103  
Fax +81 3 3222 7118  
e-mail helpdesk.ing.jp@mt.com

### Malaysia

Mettler-Toledo (M) Sdn Bhd  
Bangunan Electroscon Holding, U 1-01  
Lot 8 Jalan Astaka U8/84  
Seksyen U8, Bukit Jelutong  
MY-40150 Shah Alam Selangor  
Phone +60 3 78 44 58 88  
Fax +60 3 78 45 87 73  
e-mail  
MT-MY.CustomerSupport@mt.com

### Mexico

Mettler-Toledo S.A. de C.V.  
Pino No. 350, Col. Sta.  
MA. Insurgentes, Col Atlampa  
MX-06430 México D.F.  
Phone +52 55 55 47 57 00  
Fax +52 55 55 41 22 28  
e-mail mt.mexico@mt.com

### Poland

Mettler-Toledo (Poland) Sp.z.o.o.  
ul. Poleczki 21  
PL-02-822 Warszawa  
Phone +48 22 545 06 80  
Fax +48 22 545 06 88  
e-mail polska@mt.com

### Russia

Mettler-Toledo Vostok ZAO  
Sretenskij Bulvar 6/1  
Office 6  
RU-101000 Moscow  
Phone +7 495 651 98 86  
Fax +7 495 621 63 53  
+7 495 621 78 68  
e-mail inforus@mt.com

### Singapore

Mettler-Toledo (S) Pte. Ltd.  
Block 28  
Ayer Rajah Crescent #05-01  
SG-139959 Singapore  
Phone +65 6890 00 11  
Fax +65 6890 00 12  
+65 6890 00 13  
e-mail precision@mt.com

### Slovakia

Mettler-Toledo s.r.o.  
Hattalova 12/A  
SK-831 03 Bratislava  
Phone +421 2 4444 12 20-2  
Fax +421 2 4444 12 23  
e-mail predaj@mt.com

### Slovenia

Mettler-Toledo d.o.o.  
Peske 12  
SI-1236 Trzin  
Phone +386 1 530 80 50  
Fax +386 1 562 17 89  
e-mail keith.racman@mt.com

### South Korea

Mettler-Toledo (Korea) Ltd.  
Yeil Building 1 & 2 F  
124-5, YangJe-Dong  
SeCho-Ku  
KR-137-130 Seoul  
Phone +82 2 3498 3500  
Fax +82 2 3498 3555  
e-mail Sales\_MTKR@mt.com

### Spain

Mettler-Toledo S.A.E.  
C/Miguel Hernández, 69-71  
ES-08908 L'Hospitalet de Llobregat  
(Barcelona)  
Phone +34 93 223 76 00  
Fax +34 93 223 76 01  
e-mail bcn.centralita@mt.com

### Sweden

Mettler-Toledo AB  
Virkesvägen 10  
Box 92161  
SE-12008 Stockholm  
Phone +46 8 702 50 00  
Fax +46 8 642 45 62  
e-mail info.se@mt.com

### Switzerland

Mettler-Toledo (Schweiz) GmbH  
Im Langacher  
Postfach  
CH-8606 Greifensee  
Phone +41 44 944 45 45  
Fax +41 44 944 45 10  
e-mail salesola.ch@mt.com

### Thailand

Mettler-Toledo (Thailand) Ltd.  
272 Soi Soonvijai 4  
Rama 9 Rd., Bangkapi  
Huay Kwang  
TH-10320 Bangkok  
Phone +66 2 723 03 00  
Fax +66 2 719 64 79  
e-mail  
MT-TH.CustomerSupport@mt.com

### USA/Canada

Mettler-Toledo Ingold, Inc.  
36 Middlesex Turnpike  
Bedford, MA 01730, USA  
Phone +1 781 301 8800  
Freephone +1 800 352 8763  
Fax +1 781 271 0681  
e-mail mtprous@mt.com  
ingold@mt.com



Management System  
certified according to  
ISO 9001 / ISO 14001

Subject to technical changes.  
© Mettler-Toledo AG, 10/2008  
Printed in Switzerland. 52 900 797

Mettler-Toledo AG, Process Analytics  
Im Hackacker 15, CH-8902 Urdorf  
Phone +41 44 729 62 11, Fax +41 44 729 66 36

[www.mt.com/pro](http://www.mt.com/pro)