

InFit® 762 e/763 e – The insertion housings for medium and large vessels

Technical data



InFit® 76Y e (steel version)

Short description

The static insertion housing InFit 762 e allows quick and easy installation of electrodes and sensors with Pg 13.5 thread. This allows the use of a large range of pH/redox electrodes with solid or gel-type reference electrolyte as well as sensors for measuring conductivity, turbidity, dissolved oxygen and CO₂ in applications used in the chemical and pharmaceutical industry (even in hazardous areas).

The static insertion housing InFit 763 e provides quick and easy integration of pressurized pH/redox electrodes with liquid reference electrolyte into applications of the chemical and pharmaceutical .

The housings feature the following highlights:

- vertical installation into vessels and reactors
- use of electrodes/sensors with standard length (120 mm or 150 mm)
- variable insertion length for installation in vessels and reactors
- wide range of process connections
- large choice of materials for wetted parts, depending on process requirements
- optional protective cage for electrode protection in abrasive media
- conformity with EX and PED standards

Content

Operation and system	2
General operation of the housing	2
Complete measuring system	2
Dimensional drawings	3
Dimensional drawings InFit 762 e	3
Dimensional drawings InFit 763 e	4
Possible installations	5
Process connections	7
Technical specifications	8
Technical specifications InFit 762 e	8
Technical specifications InFit 763 e	10
Suitable electrodes / sensors	12
Ordering information	13
Product key	13
Housing and spare parts	14
Accessories and additional documentation	15

METTLER TOLEDO

General operation of the housing

The InFit 762 e and InFit 763 e insertion housings for vertical installation in reactors act as a support for electrodes and sensors for measuring pH and redox as well as dissolved oxygen, CO₂, turbidity and conductivity in industrial environments. The use of plug-type connectors facilitates the replacement of electrodes and the electrode cable can be used repeatedly.

The generic term InFit76Y e Series used in this document refers to:

- **InFit 762 e** – insertion housing for pH/redox electrodes with gel-type or polymer electrolyte, O₂, CO₂, conductivity and turbidity sensors (with 12 mm diameter and Pg 13.5 thread).
- **InFit 763 e** – insertion housing for pressurized pH/redox electrodes with liquid electrolyte (such as InPro 2000).

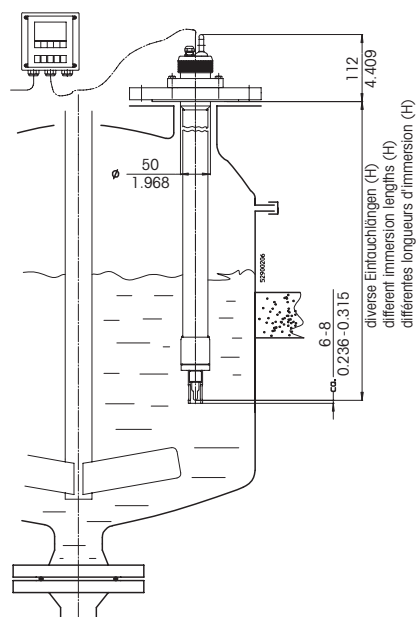
Using a combination electrode with sensor length a = 120 mm (InFit 76Y e) or 150 mm (InFit 763 e only) electrode fitting is independent from the insertion length (H), see section «Suitable electrodes / sensors» on page 12.

For the InFit 763 e housing (PVDF version) we recommend using a protective tube (see illustration on page 4). With the InFit 763 e PVDL version (PVDF antistatic) the tube is reinforced by a built-in stainless steel pipe that is not in contact with the medium.

Note: Housings suitable for operation in hazardous areas carry a respective symbol on their type plate. Housings that do not carry this additional marking are not admissible for use in hazardous areas.

All medium wetted parts of the housing are available in stainless steel according to DIN 1.4404/316L, DIN 2.4602/Alloy C22 or titanium, or (for InFit 763 e only) made of untreated PVDF and antistatic PVDF (PVDL) plastics. The head (top piece) is made of antistatic PP and nickel-plated brass. The O-ring seals between the housing and the medium are made of Viton® (FKM), Kalrez® (FFKM) and EPDM and the sealing plate is made of PTFE; all other O-rings are made of Nitril or silicone (MVQ).

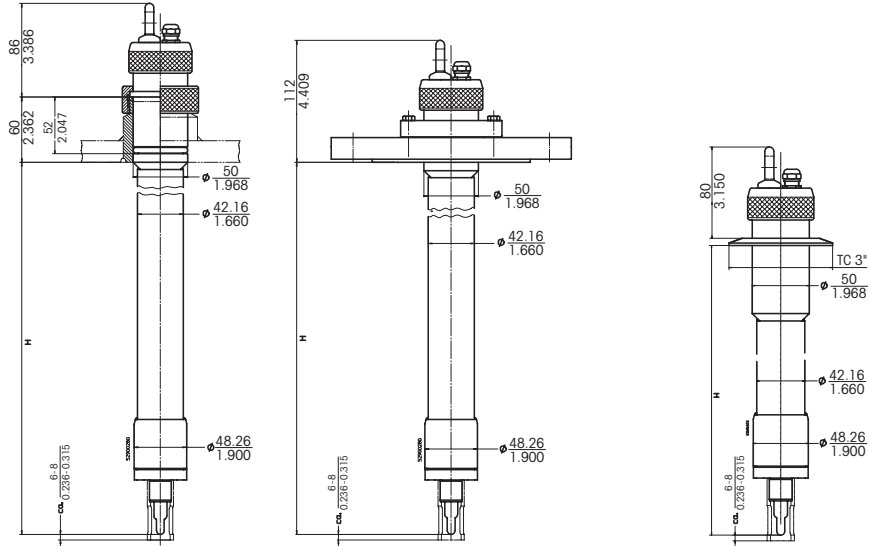
Complete measuring system



Complete measuring system InFit 76Ye

Dimensional drawings InFit 762 e

Dimensions mm	
(approx.)	inch

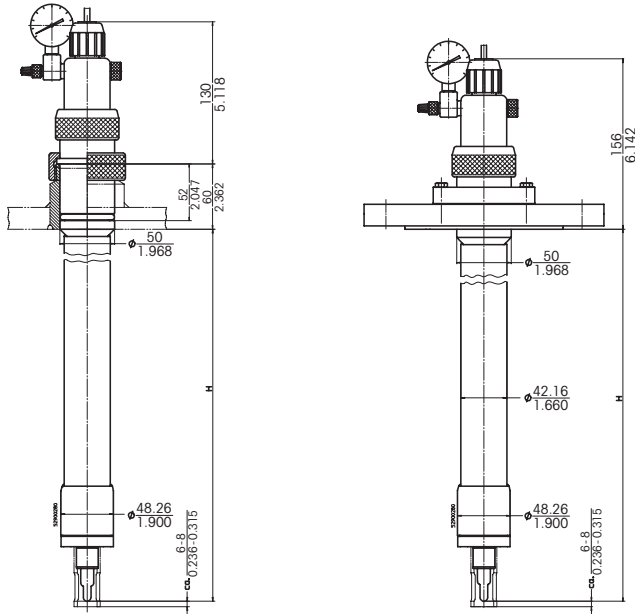


InFit 762 e with electrode/sensor (Pg 13.5 thread):
 Installation with cap nut in weld-in socket (left), installation with flange (middle)
 and installation with Tri-Clamp adaption (right).

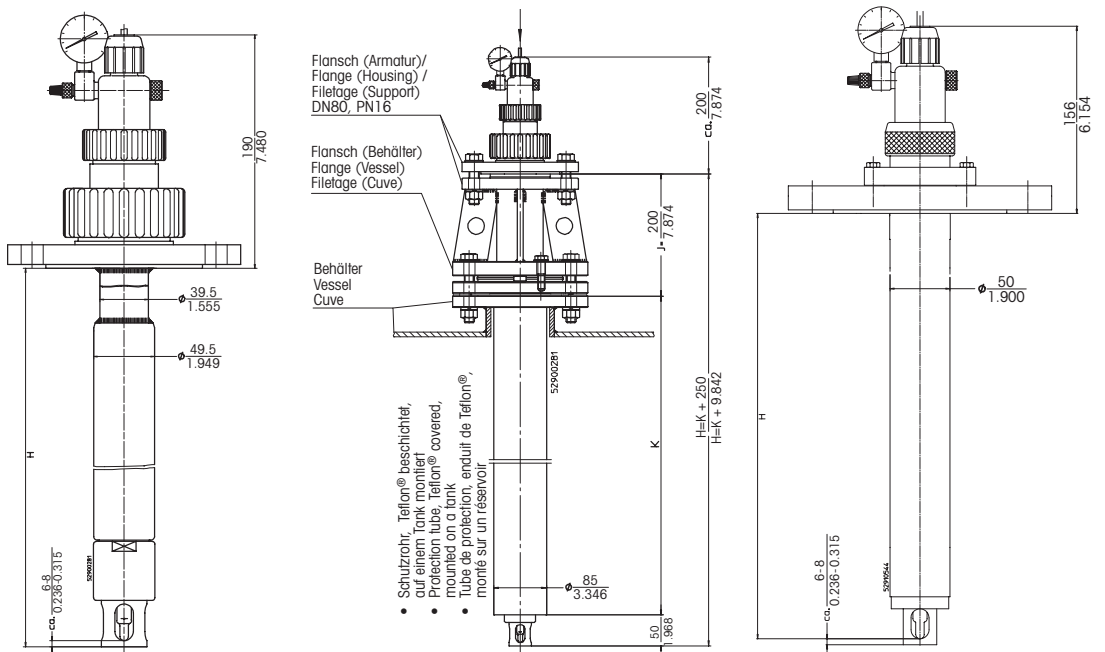
For immersion lengths (H) and appropriate sensor lengths
 please refer to section «Suitable electrodes / sensors» on page 12.

Dimensional drawings InFit 763 e

Dimensions mm	
(approx.)	inch



InFit 763e steel version:
Installation with cap nut in weld-in socket (left), installation with flange (right).

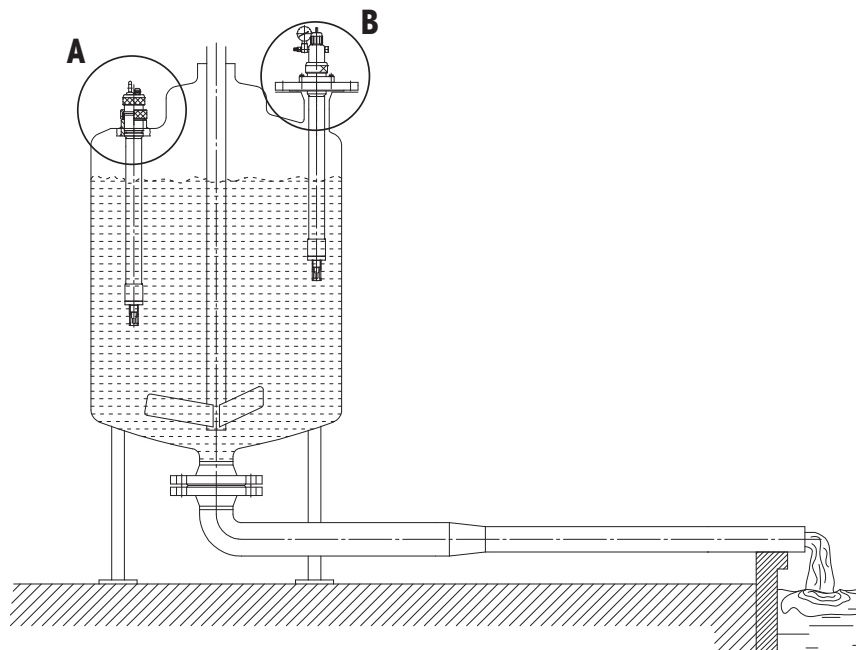


InFit 763e plastic version PVDF (left), plastic version with mounted protection tube (middle) and plastic version PVDL [PVDF antistatic] (right).

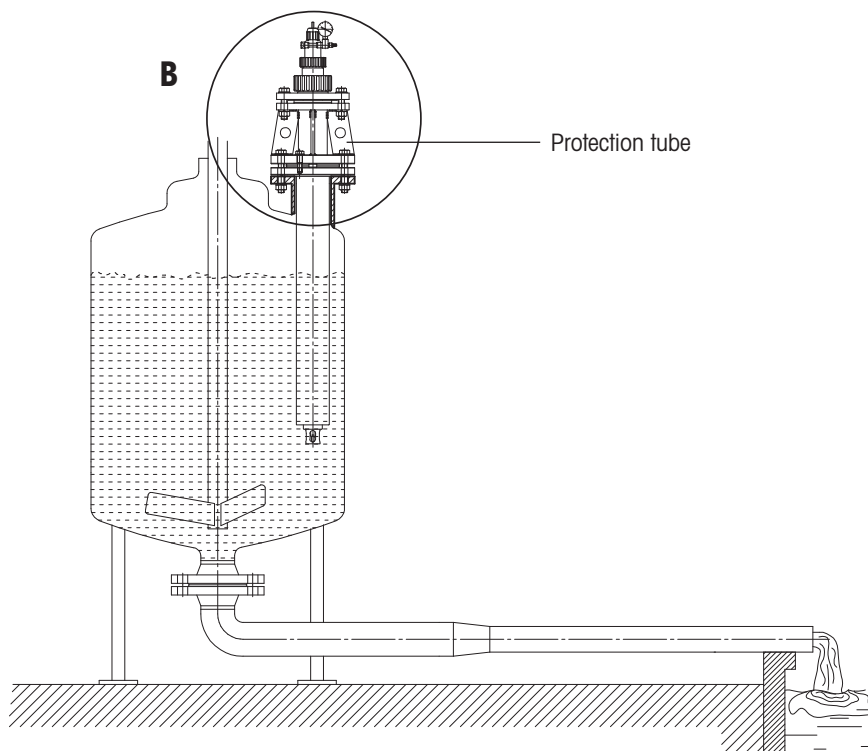
For immersion lengths (H) and appropriate sensor lengths please refer to section «Suitable electrodes / sensors» on page 12.

Possible installations

The housings are mounted to a weld-in socket with a cap nut **(A)** or to a vessel using a flange connection **(B)**.



Admissible mounting position InFit 76Y e



Admissible mounting position InFit 763 e (PVDF version) with flange and optional protection tube

Note: In case of excessive forces from stirring or gravitation prop the housing with an additional support.

Process connections

InFit 762 e / InFit 763 e housing (steel and PVDL version)

A Cap nut DN50 G 2" for weld-in socket L= 60/DN50/straight
(steel version only)

B Flange DIN DN50-PN16
Flange DIN DN80-PN16
Flange DIN DN100-PN16

Flange A150-2"/150 lbs
Flange A150-3"/150 lbs
Flange A150-4"/150 lbs

Flange JIS 10K 80

Tri-Clamp 3" straight (steel version only)

InFit 763 e housing (PVDF version)

A Cap nut M80 x 3 mm

B Flange DIN DN65-PN16
Flange DIN DN80-PN16

Flange A150-3"/150 lbs
Flange A150-4"/150 lbs

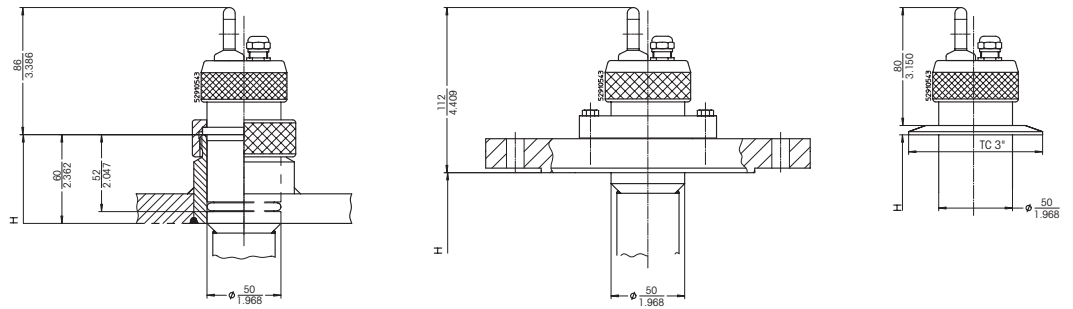
Protection tube

Flange (vessel)*	Flange DIN DN100-PN16	with flange (housing): DIN DN80 - PN16**
	Flange DIN DN150-PN16	with flange (housing): DIN DN80 - PN16**

* Other flange adaptations available on demand.

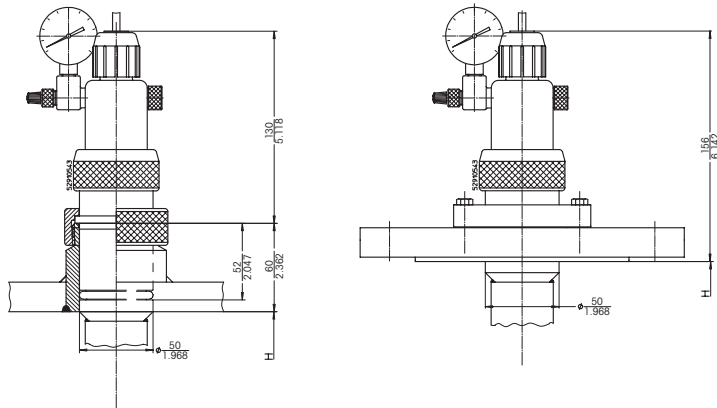
** See dimensional drawing on page 4, flange (vessel).

Process connections



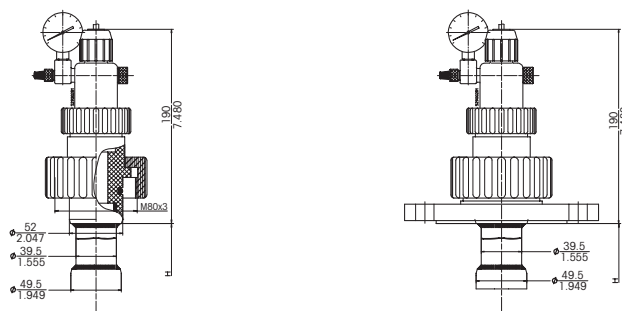
Process connections InFit 762 e

with weld-in socket (left), with flange (middle) and Tri-Clamp adaption (right)



Process connections InFit 763 e (steel and PVDL version)

with weld-in socket (left) and with with flange (middle)



Process connections InFit 763 e (PVDF version)

without flange with cap nut M80 x 3 (left) and with flange (right)

Technical specifications InFit 762 e

Note: the technical specifications of the installed sensor must be taken into consideration.

Ambient conditions

Temperature -30...80 °C

Process conditions

Housing	Material	Max. admissible pressure [PS] / [TS]:
---------	----------	--

InFit 762	DIN 1.4404/AISI 316L DIN 2.4602/AISI Alloy C22, Ti	6 bar / 130 °C
-----------	--	----------------

Immersion length Immersion lengths and appropriate sensor lengths, see section «Suitable electrodes / sensors» on page 12

Wetted materials DIN 1.4404/AISI 316L, DIN 2.4602/Alloy C22, titanium

Wetted seals Viton® (FKM)-FDA, EPDM-FDA, Kalrez® (FFKM)-FDA USP Class VI

Non-wetted materials

InFit 762/xG* version	Sealing plate:	PTFE
	Cover:	stainless steel
	Cable gland:	brass, nickel-plated
	Eye bolt M8:	steel, bright nickel-plated

InFit 762/xL* version	Sealing plate:	PTFE
	Cover:	stainless steel
	Cable gland:	plastic
	Counter nut:	stainless steel

Weight starting from approx. 4 kg

Pressure information According to PED 97/23/CE Article 1, Section 2.2: «Pressure» is referenced to atmospheric pressure, e.g. an overpressure. Accordingly, a pressure in the vacuum region will be expressed as a negative pressure.

* see «Product key» page 13

Explosion protection

(Applicable for all housings
with wetted parts made of metal)

according to ATEX directives (94/9/EG):
 Ⓜ II 1/2 GD IIC T6/T5/T4/T3
 IP6X T 69 °C/T 81 °C/T 109 °C/T 161 °C
 SNCH 03 ATEX 3590 X
 according to FM directives:
 IS CL I,II,III, Div 1, GR ABCDEFG/T6

**Certificates /
approvals**

- Declaration of conformity CE for Pressure equipment directive (PED) 97/23/CE and ATEX 94/9/CE
- Certificate of compliance with directive EN10204-2.1
- Inspection certificate 3.1B
- Certificate for ATEX 94/9/CE
- FM certificate
- MaxCert™

**Appropriate
types of electrodes**

see section «Suitable electrodes/sensors» on page 12

For more detailed information regarding electrodes and sensors please refer to the corresponding data sheets or contact your METTLER TOLEDO representative.

Technical specifications InFit 763 e

Note: the technical specifications of the installed sensor must be taken into consideration.

Ambient conditions

Temperature 0...70 °C

Process conditions

Housing	Material	Max. admissible pressure [PS] / [TS]: (linear relation with plastic housings)
InFit 763	DIN 1.4404/AISI 316L	
	DIN 2.4602/AISI Alloy C22, Ti	6 bar / 130 °C
	PVDF	10 bar / 40 °C
	PVDL (PVDF antistatic)	2 bar / 130 °C
	PVDL (PVDF antistatic)	6 bar / 130 °C

Immersion length Immersion lengths and appropriate sensor lengths, see section «Suitable electrodes / sensors» on page 12

Wetted materials DIN 1.4404/AISI 316L, DIN 2.4602/Alloy C22, titanium, PVDF, PVDL (Polyvinylidene fluoride antistatic PVDF)

Wetted seals Viton® (FKM)-FDA, EPDM-FDA, Kalrez® (FFKM)-FDA USP Class VI

Non-wetted materials Top piece: nickel-plated brass, Polypropylene (PP) antistatic
 Sensor holder: PVDF
 Sealing plate: PTFE

Weight starting from approx. 4 kg

Pressure information According to PED 97/23/CE Article 1, Section 2.2: «Pressure» is referenced to atmospheric pressure, e.g. an overpressure. Accordingly, a pressure in the vacuum region will be expressed as a negative pressure.

Explosion protection

(Applicable for all housings with wetted parts made of metal and antistatic PVDF [PVDF])

according to ATEX directives (94/9/EG):
 Ⓜ II 1/2 GD IIC T6/T5/T4/T3
 IP6X T 69 °C/T 81 °C/T 109 °C/T 161 °C
 SNCH O3 ATEX 3590 X
 according to FM directives:
 IS CL I,II,III, Div 1, GR ABCDEFG/T6

Certificates / approvals

- Declaration of conformity CE for Pressure equipment directive (PED) 97/23/CE and ATEX 94/9/CE
- Certificate of compliance with directive EN10204-2.1
- Inspection certificate 3.1B
- Certificate for ATEX 94/9/CE
- FM certificate
- MaxCert™

Appropriate types of electrodes

see section «Suitable electrodes/sensors» on page 12

For more detailed information regarding electrodes and sensors please refer to the corresponding data sheets or contact your METTLER TOLEDO representative.

Suitable electrodes/sensors

InFit 762 e

	α-Length of the electrodes / sensors
	120 mm
pH	DPA/DPAS, DXK, InPro 3030, InPro 3100, InPro 3200, InPro 3250, InPro 4250, InPro 4800
Redox	Pt4805
Oxygen	InPro 6800
CO ₂	InPro 5000
Conductivity	InPro 7001-VP
Turbidity	InPro 8100, InPro 8200

InFit 763 e (steel and PVDL version)¹⁾

	α-Length of the electrodes / sensors
	120 mm or 150 mm
pH	465-50, InPro 2000
Redox	Pt4865-50

InFit 763 e (PVDF version)

	α-Length of the electrodes / sensors
	120 mm
pH	465-50, InPro 2000
Redox	Pt4865-50

¹⁾ If the electrode holder of the InFit 763 e (steel or PVDL version) is removed, an electrode/sensor with Pg 13.5 thread can be inserted.
(see respective section in table InFit 762 e.

Ordering information

InFit 76Y e Series

InFit 762 e	Designation	Order no.
	InFit 762/NG/1000/4404/B02/VI--	52 400 065
	InFit 762/NG/1500/4404/B02/VI--	52 400 066

InFit 763 e	Designation	Order no.
	InFit 763/NU/1000/4404/B02/VI--	52 400 060
	InFit 763/NU/1200/4404/B02/VI--	52 400 352
	InFit 763/NU/1500/4404/B02/VI--	52 400 061
	InFit 763/NU/1800/4404/B02/VI--	52 400 721
	InFit 763/WH/1000/PVDF/B01/VI--	007633172IG
	InFit 763/WH/1500/PVDF/B01/VI--	007633113IG

All other configurations can be ordered according to the product key found on page 13.

Spare parts InFit 76Y e	Designation	Order no.
	O-ring set Vi 76Y e (flange adaption)	52 400 115
	O-ring set Vi 76Y e (socket adaption)	52 400 114
	O-ring set Ka 76Y e (flange adaption)	52 400 370
	O-ring set Ka 76Y e (socket adaption)	52 400 369
	O-ring set Ka 762 e/NL (flange adaption)	52 403 473
	O-ring set Ka 762 e/NL (socket adaption)	52 403 474
	O-ring set Ep 76Y e (flange adaption)	52 403 475
	O-ring set Ep 76Y e (socket adaption)	52 403 476
	O-ring set Ka InFit 763 e (plastic version)	52 400 371
	O-ring set Vi InFit 763 e (plastic version)	00 763 2013IG
	O-ring set Ep InFit 763 e (plastic version)	52 403 477
	Manometer 0...6 bar complete	00 764 2045IG
	Pressure connection set	20 102 2000IG
	Valve insert	20 102 1001IG
	Top piece complete 763 e	00 763 2005IG

Accessories	Designation	Order no.
	Weld-in socket	
	Weld-in socket L=60/DN50/1.4435	00 763 1038IG
	Weld-in socket L=60/DN50/ DIN2.4602	00 763 1299IG
	Blind plug	
	Blind plug DN50 1.4435 Silikon-FDA	00 763 2000IG
	Protective cage	
	Protective cage, pluggable 1.4435	00 764 1046IG
	Protective cage, pluggable DIN 2.4602	52 402 858
	Protective cage, pluggable titanium	00 764 1395IG

Ordering information

InFit 76Y e Series

Accessories (cont.)	Designation	Order no.
	Lifting plate	52 400 050
	Conversion kit InFit 762 e to InFit 763 e*	52 400 067
	Connection cable AS9/HT-Coax 5 (temperature -30...90 °C)	
	3 m	10 001 0315IG
	5 m	10 001 0515IG
	10 m	10 001 1015IG
	Connection cable AS9/ST-Coax 5 (temperature -30...80 °C)	
	3 m	10 001 0302IG
	5 m	10 001 0502IG
	10 m	10 001 1002IG
	Connection cable AK9/ST-Coax 5 (temperature -30...80 °C)	
	1 m	10 000 0102IG
	3 m	10 000 0302IG
	10 m	10 000 1002IG
	Connection cable VP6/HT (temperature -30...130 °C)	
	1 m	52 300 111
	3 m	52 300 112
	5 m	52 300 113
	10 m	52 300 114
	Connection cable VP6/ST (temperature -30...80 °C)	
	1 m	52 300 107
	3 m	52 300 108
	5 m	52 300 109
	10 m	52 300 110
	Insert DXK/DPA for InFit 763 e (PVDF version)**	00 763 1168IG

For further accessories please contact your local METTLER TOLEDO representative.

* The conversion kit modifies the housing so that pressurized electrodes with liquid electrolyte can be used.

** The insert allows using electrodes with 12 mm diameter.

Additional documentation

Operating instructions InFit 762 e/InFit 763 e (German)	52 403 384
Operating instructions InFit 762 e/InFit 763 e (English)	52 403 549
Operating instructions InFit 762 e/InFit 763 e (French)	52 403 550

For additional information please contact your local METTLER TOLEDO representative.

Sales and Service:

Australia

Mettler-Toledo Ltd.
220 Turner Street
Port Melbourne
AUS - 3207 Melbourne/VIC
Phone +61 1300 659 761
Fax +61 3 9645 3935
e-mail info.mtaus@mt.com

Austria

Mettler-Toledo Ges.m.b.H.
Südrandstraße 17
A-1230 Wien
Phone +43 1 604 19 80
Fax +43 1 604 28 80
e-mail infoprocess.mtat@mt.com

Brazil

Mettler-Toledo Ind. e Com. Ltda.
Alameda Araguaia, 451
Alphaville
BR - 06455-000 Barueri/SP
Phone +55 11 4166 7444
Fax +55 11 4166 7401
e-mail mettler@mettler.com.br
service@mettler.com.br

China

Mettler-Toledo Instruments
(Shanghai) Co. Ltd.
589 Gui Ping Road
Cao He Jing
CN - 200233 Shanghai
Phone +86 21 64 85 04 35
Fax +86 21 64 85 33 51
e-mail mtfcs@public.sta.net.cn

Croatia

Mettler-Toledo d.o.o.
Mandlova 3
HR - 10000 Zagreb
Phone +385 1 292 06 33
Fax +385 1 295 81 40
e-mail mtf.zagreb@mt.com

Czech Republic

Mettler-Toledo s.r.o.
Trebohosticka 2283/2
CZ - 100 00 Praha 10
Phone +420 2 72 123 150
Fax +420 2 72 123 170
e-mail sales.mtcz@mt.com

Denmark

Mettler-Toledo A/S
Naverland 8
DK - 2600 Glostrup
Phone +45 43 27 08 00
Fax +45 43 27 08 28
e-mail info.mtdk@mt.com

France

Mettler-Toledo
Analyse Industrielle S.A.S.
30, Boulevard de Douaumont
BP 949
F - 75829 Paris Cedex 17
Phone +33 1 47 37 06 00
Fax +33 1 47 37 46 26
e-mail mtpro-f@mt.com

Germany

Mettler-Toledo GmbH
Prozeßanalytik
Ockerweg 3
D - 35396 Gießen
Phone +49 641 507 333
Fax +49 641 507 397
e-mail prozess@mt.com

Great Britain

Mettler-Toledo LTD
64 Boston Road, Beaumont Leys
GB - Leicester LE4 1AW
Phone +44 116 235 7070
Fax +44 116 236 5500
e-mail enquire.mtuk@mt.com

Hungary

Mettler-Toledo Kereskedelmi KFT
Teve u. 41
HU - 1139 Budapest
Phone +36 1 288 40 40
Fax +36 1 288 40 50
e-mail mthu@axelero.hu

India

Mettler-Toledo India Private Limited
Amar Hill, Saki Vihar Road
Powai
IN - 400 072 Mumbai
Phone +91 22 2857 0808
Fax +91 22 2857 5071
e-mail sales.mtiin@mt.com

Italy

Mettler-Toledo S.p.A.
Via Vialba 42
I - 20026 Novate Milanese
Phone +39 02 333 321
Fax +39 02 356 2973
e-mail customercare.italia@mt.com

Japan

Mettler-Toledo K.K.
Process Division
6F Ikenohata Nisshoku Bldg.
2-9-7, Ikenohata
Taito-ku
JP - 110-0008 Tokyo
Tel. +81 3 5815 5606
Fax +81 3 5815 5626
e-mail helpdesk.ing.jp@mt.com

Malaysia

Mettler-Toledo (M) Sdn Bhd
Bangunan Electroscon Holding, U 1-01
Lot 8 Jalan Astaka U8/84
Seksyen U8, Bukit Jelutong
MY - 40150 Shah Alam Selangor
Phone +60 3 78 44 58 88
Fax +60 3 78 45 87 73
e-mail
MT-MY.CustomerSupport@mt.com

Mexico

Mettler-Toledo S.A. de C.V.
Ejercito Nacional #340
Col. Chapultepec Morales
Del. Miguel Hidalgo
MX - 11570 México D.F.
Tel. +52 55 1946 0900
e-mail ventas.lab@mt.com

Poland

Mettler-Toledo (Poland) Sp.z.o.o.
ul. Poleczi 21
PL - 02-822 Warszawa
Phone +48 22 545 06 80
Fax +48 22 545 06 88
e-mail polska@mt.com

Russia

Mettler-Toledo Vostok ZAO
Sretenskij Bulvar 6/1
Office 6
RU - 101000 Moscow
Phone +7 495 621 56 66
Fax +7 495 621 63 53
e-mail inforus@mt.com

Singapore

Mettler-Toledo (S) Pte. Ltd.
Block 28
Ayer Rajah Crescent #05-01
SG - 139959 Singapore
Phone +65 6890 00 11
Fax +65 6890 00 12
+65 6890 00 13
e-mail precision@mt.com

Slovakia

Mettler-Toledo s.r.o.
Hattalova 12/A
SK - 831 03 Bratislava
Phone +421 2 4444 12 20-2
Fax +421 2 4444 12 23
e-mail predaj@mt.com

Slovenia

Mettler-Toledo d.o.o.
Pot heroja Trtnika 26
SI - 1261 Ljubljana-Dobrunje
Phone +386 1 530 80 50
Fax +386 1 562 17 89
e-mail keith.racman@mt.com

South Korea

Mettler-Toledo (Korea) Ltd.
Yeil Building 1 & 2 F
124-5, YangJe-Dong
SeCho-Ku
KR - 137-130 Seoul
Phone +82 2 3498 3500
Fax +82 2 3498 3555
e-mail Sales_MTKR@mt.com

Spain

Mettler-Toledo S.A.E.
C/Miguel Hernández, 69-71
ES - 08908 L'Hospitalet de Llobregat
(Barcelona)
Phone +34 93 223 76 00
Fax +34 93 223 76 01
e-mail bcn.centralita@mt.com

Sweden

Mettler-Toledo AB
Virkesvägen 10
Box 92161
SE - 12008 Stockholm
Phone +46 8 702 50 00
Fax +46 8 642 45 62
e-mail sales.mts@mt.com

Switzerland

Mettler-Toledo (Schweiz) GmbH
Im Langacher
Postfach
CH - 8606 Greifensee
Phone +41 44 944 45 45
Fax +41 44 944 45 10
e-mail salesola.ch@mt.com

Thailand

Mettler-Toledo (Thailand) Ltd.
272 Soi Soonvijai 4
Rama 9 Rd., Bangkapi
Huay Kwang
TH - 10320 Bangkok
Phone +66 2 723 03 00
Fax +66 2 719 64 79
e-mail
MT-TH.ProcessSupport@mt.com

USA / Canada

Mettler-Toledo Ingold, Inc.
36 Middlesex Turnpike
Bedford, MA 01730, USA
Phone +1 781 301 8800
Freephone +1 800 352 8763
Fax +1 781 271 0681
e-mail mtprous@mt.com



Management System
certified according to
ISO 9001 / ISO 14001

Subject to technical changes.
© Mettler-Toledo AG, Process Analytics
04/10 Printed in Switzerland. 52 403 440

Mettler-Toledo AG, Process Analytics
Im Hackacker 15, CH - 8902 Urdorf, Switzerland
Phone + 41 44 729 62 11, Fax +41 44 729 66 36

www.mt.com/pro