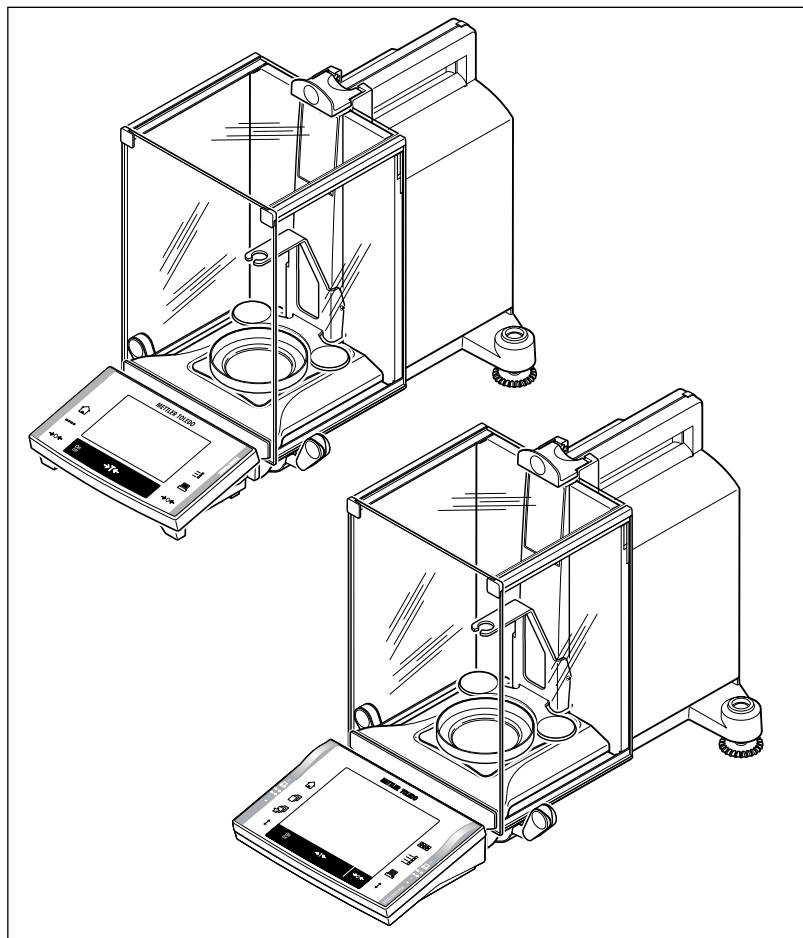


Operating instructions
Bedienungsanleitung
Mode d'emploi
Instrucciones de manejo
Istruzioni per l'uso

METTLER TOLEDO

Density determination kit for Excellence XP/XS analytical balances
Dichtebestimmungs kit zu Excellence XP/XS Analysen-Waagen
Kit pour la détermination de la masse volumique pour balances d'analyse Excellence XP/XS
Conjunto de determinación de densidades para balanzas analíticas XP/XS Excellence
Kit per la determinazione della densità per bilance analitiche XP/XS Excellence



Page 2

English

Seite 16

Deutsch

Page 30

Français

Página 44

Español

Pagina 58

Italiano

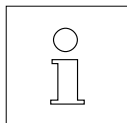
Contents

1	Introduction	3
1.1	Before we begin.....	3
1.2	Standard equipment, spare parts.....	4
2	Preparing the balance for density determinations	5
3	Principle of the density determination	6
4	Density determination of solids	6
4.1	Fundamentals	6
4.2	Performing the density determination	6
4.3	Improving the accuracy of the result.....	9
5	Density determination of liquids	9
5.1	Fundamentals	9
5.2	Performing the density determination	10
5.3	Improving the accuracy of the result	12
6	Supplementary information	12
6.1	Influencing factors	12
6.2	Density table for distilled water	14
6.3	Density table for ethanol	15

1 Introduction

1.1 Before we begin

Our thanks for purchasing the density determination kit for your METTLER TOLEDO balance. With the aid of this kit you can use your balance for the determination of the density of solids and liquids.



These instructions describe working with the density determination kit. Please see the operating instructions enclosed with your balance on how to operate the balance.

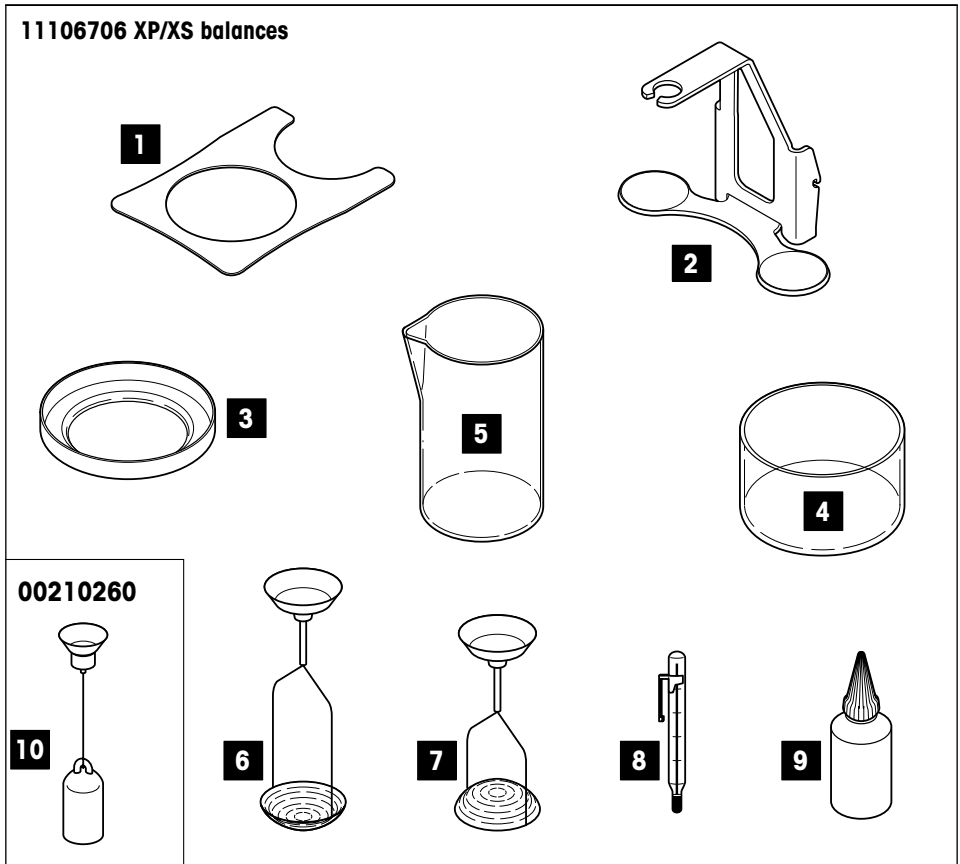


Please heed and comply with all cautionary notes listed in the operating instructions of your balance.

1.2 Standard equipment, spare parts

The kit for the density determination of solids contains the individual parts shown in the illustration below (1–9).

For the density determination of liquids, you need the above kit and also the optional **10 ml sinker** (00210260), also shown below (10). A certified model of the sinker is also available (00210672).

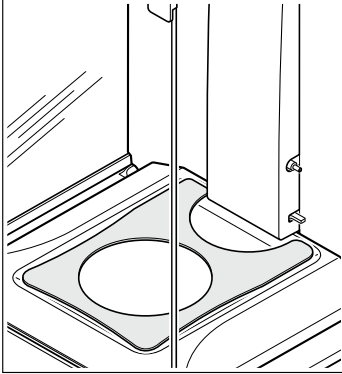


	Designation	Order No.
1	Support plate	11106728
2	Bracket	11106703
3	Pan	00238164
4	Glass beaker Ø 80 mm	00238167
5	Glass beaker Ø 60 mm	00238166

	Designation	Order No.
6	Holder for nonfloating solids	00238180
7	Holder for floating solids	00238181
8	Precision thermometer certified	00238185 00238767
9	Wetting agent	00072409
10	Sinker 10 ml	00210260

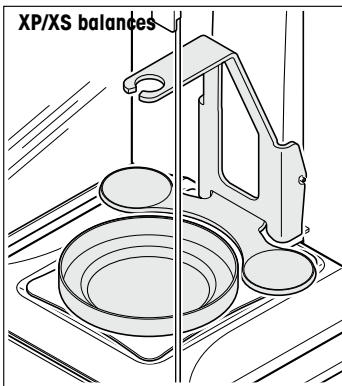
2 Preparing the balance for density determinations

This section describes how you can convert your balance in next to no time to determine densities. The illustrations at the bottom of this page show the balance prepared for density measurements.



- Remove the weighing pan from the weighing chamber.
- Insert the support plate (1) supplied.

Density kit mounted on



- Hang the bracket (2) on the pan suspension.
- Insert the pan (3) into the support plate.

3 Principle of the density determination

The density ρ is the quotient of the mass m and the volume V .

$$\rho = \frac{m}{V}$$

The international system of units specifies kg/m^3 as the unit of density. However, the unit g/cm^3 is better suited to lab purposes.

Density determinations are frequently performed by **Archimedes' principle**, which is also used with the density determination kit for the balances. This principle states that every solid body immersed in a fluid apparently loses weight by an amount equal to that of the fluid it displaces.

The procedure for the density determination by Archimedes' principle depends on whether the **density of solids or liquids** has to be determined.

4 Density determination of solids

4.1 Fundamentals

The density of a solid is determined with the aid of a liquid whose **density** ρ_0 is known (water or ethanol are usually used as auxiliary liquids). The solid is weighed in air (A) and then in the auxiliary liquid (B). The density ρ can be calculated from the two weighings as follows:

$$\text{Density: } \rho = \frac{A}{A-B} (\rho_0 - \rho_L) + \rho_L$$

$$\text{Volume: } V = \alpha \frac{A-B}{\rho_0 - \rho_L}$$

ρ = Density of sample

A = Weight of sample in air

B = Weight of sample in the auxiliary liquid

ρ_0 = Density of the auxiliary liquid

ρ_L = Air density (0.0012 g/cm^3)

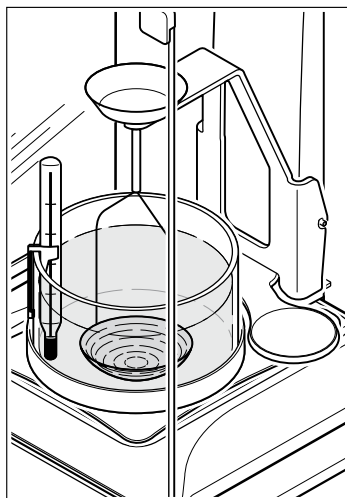
α = Balance correction factor (0.99985), takes air buoyancy of the adjustment weight into account.

4.2 Performing the density determination

Note: These instructions explain how to work with the density determination kit. They describe the procedure for performing a density determination manually.

If you need information about operating your XP/XS balance, please refer to the Operating Instructions which you received with the balance. The Operating Instructions include instructions for working with the density determination software which is built into the XP/XS balance.

For the density determination of solids, use the low glass beaker (4) and one of the two holders for solids which sink (6) or float (7).



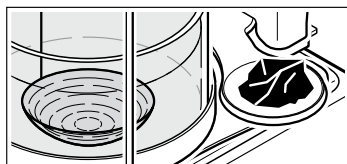
Prepare the balance for the density determination (install draft shield element, bracket, equalizing washer and platform) as described in Section 2.

Suspend the supplied thermometer (8) from the edge of the low beaker (4). Place the beaker on the pan and fill it with auxiliary liquid (liquid of known density ρ_0 , usually distilled water or ethanol). Add enough liquid to ensure that the solid is covered by at least 1 cm liquid after immersion.

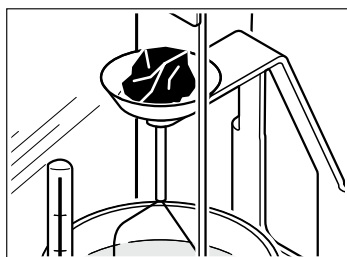
Suspend the suitable holder (6) or (7) for solids which sink or float from the bracket (the adjacent illustration shows the holder for solids which sink).

Ensure that **no air bubbles** adhere to the immersed part of the holder (remove any air bubbles by moving the holder or by means of a fine brush).

Close the draft shield doors and tare the balance.

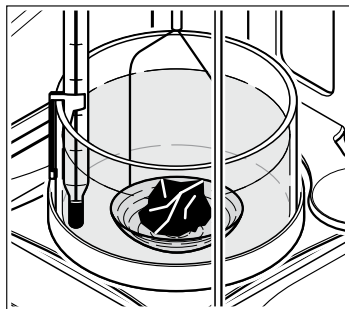


Place the solid in one of the two weighing pans of the bracket (2). Wait until the weight display of the balance is stable (stability detector fades) and note the displayed weight A (weight of sample in air).

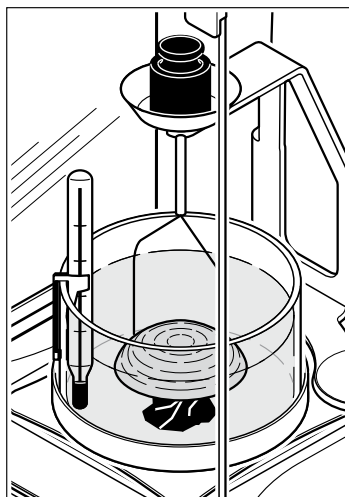


Note

When **solids with a weight greater than 20 g** are weighed in air, place in the pan at the top of the holder (above 20 g cornerload errors may appear on one arm in the weighing).



Remove the solid from the pan, close the draft shield doors and tare the balance. Place the solid after in the holder (6). Ensure that no air bubbles adhere to the solid (remove any air bubbles with a fine brush).

**Note**

With **solids with a density less than 1 g/cm³** the **holder for floating solids (7)** must be used as it holds the solid body below the surface of the auxiliary liquid. If the buoyancy of the solid is greater than the weight of the holder, the holder must be weighted by placing an additional weight on the top weighing pan of the bracket.

After loading the additional weight, tare the balance and restart the density determination procedure by first weighing the solid in air (A) and then in the auxiliary liquid (B).

Wait until the balance has reached stability and note the displayed weight B (weight of sample in the auxiliary liquid).

Now determine the density ρ of the solid according to the preceding formula (Section 4.1).

4.3 Improving the accuracy of the result

The following tips should help you improve the accuracy of the results in the **density determination of solids**.

Temperature

Solids are generally so insensitive to temperature fluctuations that the corresponding density changes are of no consequence. However, as work is performed with an auxiliary liquid in the density determination of solids following Archimedes' principle, their temperature must be taken into account as the temperature has a greater effect with liquids and causes density changes of order of magnitude 0.1 to 1 ‰ per °C. This effect is already apparent in the third decimal place of the result.

To obtain accurate results, we recommend that you always take the temperature of the auxiliary liquid into account in all density determinations. You can take the appropriate values from a book of tables. You will find tables for distilled water and ethanol in Section 6.

Surface tension of the auxiliary liquid

Adhesion of the auxiliary liquid to the suspension wires of the holder causes an apparent weight increase of up to 3 mg.

As the holder is immersed in the auxiliary liquid in both weighings of the solid (in air and in the auxiliary liquid) and the balance is tared before every measurement, the influence of the apparent weight increase can be neglected.

If the greatest possible accuracy is required, use a few drops of the wetting agent (9) supplied.

5 Density determination of liquids

5.1 Fundamentals

The density of a liquid is determined using a sinker of known **volume**. The sinker is weighed in air and then in the liquid whose density is to be determined. The density ρ can be determined from the two weighings as follows:

$$\text{Density: } \rho = \alpha \frac{A-B}{V} + \rho_L$$

With an electronic balance it is possible to determine the weight of the displaced liquid P ($P = A-B$), and thus the buoyancy, allowing the preceding formula to be simplified to:

$$\rho = \alpha \frac{P}{V} + \rho_L$$

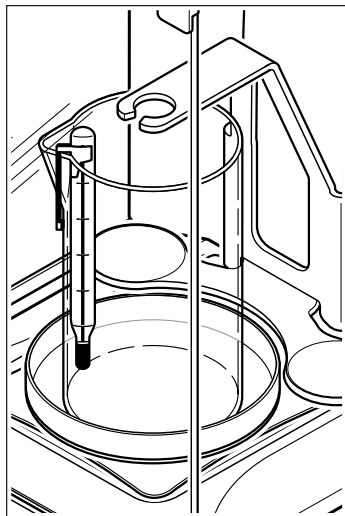
- ρ = Density of liquid
 A = Weight of sinker in air
 B = Weight of sinker in the liquid
 V = Volume of sinker
 ρ_L = Air density (0.0012 g/cm³)
 α = Balance correction factor (0.99985), takes air buoyancy of the adjustment weight into account
 P = Weight of displaced liquid ($P = A - B$).

5.2 Performing the density determination

Note: These instructions explain how to work with the density determination kit. They describe the procedure for performing a density determination manually.

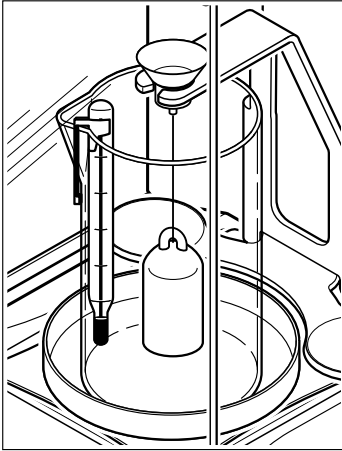
If you need information about operating your XP/XS balance, please refer to the Operating Instructions which you received with the balance. The Operating Instructions include instructions for working with the density determination software which is built into the XP/XS balance.

For the density determination of liquids use the high glass beaker (5) and the optional sinker (10).



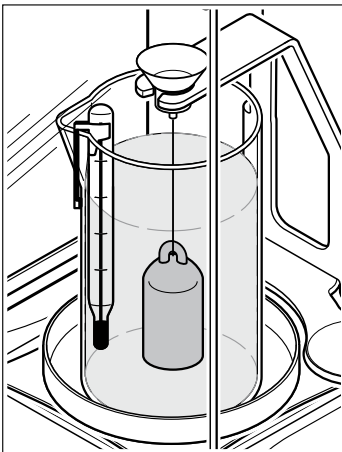
Prepare the balance for the density determination (install the support plate, bracket, and pan) as described in Section 2.

Place the empty high beaker (5) on the pan and suspend the thermometer supplied (8) from the edge of the beaker.



Suspend the sinker (10) from the bracket and ensure that it does not touch either the beaker or the thermometer.

Tare the balance.



Add the liquid whose density you wish to determine to the beaker (up to approx. 1 cm above the suspension eye of the sinker). Ensure that no air bubbles adhere to the sinker (remove any air bubbles with a fine brush).

Wait until the weight display of the balance is stable (stability detector fades) and note the displayed value P (Weight of displaced liquid).

Now determine the density ρ of the liquid (at the temperature read off on the thermometer), according to the preceding formula (Section 5.1).

5.3 Improving the accuracy of the result

The following tips will help you improve the accuracy of the results in the **density determination of liquids**.

Volume tolerance of the sinker

The optional sinker 00210260 recommended for the density determination of liquids corresponds to the requirements of the German Weights and Measures Regulation (EO 13–4, paragraph 9.21). The volume of the sinker 00210260 including the upper half of the suspension wire is so adjusted that the maximum error in the density determination of water at a temperature of 20 °C is $\pm 0.0005 \text{ g/cm}^3$.

6 Supplementary information

This section offers information on the influencing factors which can have an adverse effect on the accuracy of the experimental results. In addition, you will find density tables for distilled water and ethanol in this section.

6.1 Influencing factors

In addition to temperature, air buoyancy and surface tension of the liquid, the following factors can affect the experimental results:

- Immersion depth of the holder or the sinker
- Air bubbles
- Porosity of the solid body

Immersion depth of the holder or sinker

The sinker for the **density determination of liquids** is suspended from a platinum wire of **0.2 mm diameter**. In water the wire experiences a **buoyancy of approx. 0.3 mg per 10 mm immersion depth**.

Example: If the liquid is 10 mm above the suspension eye of the sinker, approx. 40 mm wire are immersed. This results in a buoyancy of 1.2 mg at densities around 1. Owing to division of the buoyancy by 10 cm^3 (= volume of the sinker), the error in the result is negligibly small and need not be corrected.

The immersible part of the holders for the **density determination of solids** comprises 2 wires **each of diameter 0.7 mm**. With a liquid density of 1, this results in a **buoyancy of approx. 0.4 mg per millimeter immersion depth**.

In the weighing of the solid in air, the immersion depth of the holder remains the same. The buoyancy force on the holder is thus constant and can therefore be neglected. However, it is important to ensure that the **liquid level is not changed** between weighings (the change in the liquid level by immersion of the solid is usually insignificant).

Air bubbles

With poorly wetting liquids (e.g. water without wetting agent), it is possible that air bubbles remain adhered to the immersed parts (solid, sinker, holder) and influence the result owing to their buoyancy. A bubble with a diameter of 1 mm causes a buoyancy of 0.5 mg, whereas one of diameter 2 mm results in a buoyancy as high as 4 mg. To avoid air bubbles, we advise the following **precautionary measures**:

- Degrease solvent-resistant solids
- Clean holders and sinker at regular intervals, never touched parts which are immersed with your hand
- Gently shake holders and sinker on first-time immersion to dislodge any air bubbles
- Remove tenaciously adhering air bubbles with a fine brush
- Use enclosed or commercial wetting agent or organic liquids (the density change experienced by distilled water on the addition of wetting agent can be neglected).

Porosity of the solid

When solid bodies are immersed in a liquid, usually not all the air in the pores is displaced. This leads to buoyancy errors and thus the density of porous bodies can only be determined approximately.

6.2 Density table for distilled water

T/°C	0.0	0.1	0.2	0.3	0.4	0.5	0.6	0.7	0.8	0.9
10.	0.99973	0.99972	0.99971	0.99970	0.99969	0.99968	0.99967	0.99966	0.99965	0.99964
11.	0.99963	0.99962	0.99961	0.99960	0.99959	0.99958	0.99957	0.99956	0.99955	0.99954
12.	0.99953	0.99951	0.99950	0.99949	0.99948	0.99947	0.99946	0.99944	0.99943	0.99942
13.	0.99941	0.99939	0.99938	0.99937	0.99935	0.99934	0.99933	0.99931	0.99930	0.99929
14.	0.99927	0.99926	0.99924	0.99923	0.99922	0.99920	0.99919	0.99917	0.99916	0.99914
15.	0.99913	0.99911	0.99910	0.99908	0.99907	0.99905	0.99904	0.99902	0.99900	0.99899
16.	0.99897	0.99896	0.99894	0.99892	0.99891	0.99889	0.99887	0.99885	0.99884	0.99882
17.	0.99880	0.99879	0.99877	0.99875	0.99873	0.99871	0.99870	0.99868	0.99866	0.99864
18.	0.99862	0.99860	0.99859	0.99857	0.99855	0.99853	0.99851	0.99849	0.99847	0.99845
19.	0.99843	0.99841	0.99839	0.99837	0.99835	0.99833	0.99831	0.99829	0.99827	0.99825
20.	0.99823	0.99821	0.99819	0.99817	0.99815	0.99813	0.99811	0.99808	0.99806	0.99804
21.	0.99802	0.99800	0.99798	0.99795	0.99793	0.99791	0.99789	0.99786	0.99784	0.99782
22.	0.99780	0.99777	0.99775	0.99773	0.99771	0.99768	0.99766	0.99764	0.99761	0.99759
23.	0.99756	0.99754	0.99752	0.99749	0.99747	0.99744	0.99742	0.99740	0.99737	0.99735
24.	0.99732	0.99730	0.99727	0.99725	0.99722	0.99720	0.99717	0.99715	0.99712	0.99710
25.	0.99707	0.99704	0.99702	0.99699	0.99697	0.99694	0.99691	0.99689	0.99686	0.99684
26.	0.99681	0.99678	0.99676	0.99673	0.99670	0.99668	0.99665	0.99662	0.99659	0.99657
27.	0.99654	0.99651	0.99648	0.99646	0.99643	0.99640	0.99637	0.99634	0.99632	0.99629
28.	0.99626	0.99623	0.99620	0.99617	0.99614	0.99612	0.99609	0.99606	0.99603	0.99600
29.	0.99597	0.99594	0.99591	0.99588	0.99585	0.99582	0.99579	0.99576	0.99573	0.99570
30.	0.99567	0.99564	0.99561	0.99558	0.99555	0.99552	0.99549	0.99546	0.99543	0.99540

6.3 Density table for ethanol

T/°C	0.0	0.1	0.2	0.3	0.4	0.5	0.6	0.7	0.8	0.9
10.	0.79784	0.79775	0.79767	0.79758	0.79750	0.79741	0.79733	0.79725	0.79716	0.79708
11.	0.79699	0.79691	0.79682	0.79674	0.79665	0.79657	0.79648	0.79640	0.79631	0.79623
12.	0.79614	0.79606	0.79598	0.79589	0.79581	0.79572	0.79564	0.79555	0.79547	0.79538
13.	0.79530	0.79521	0.79513	0.79504	0.79496	0.79487	0.79479	0.79470	0.79462	0.79453
14.	0.79445	0.79436	0.79428	0.79419	0.79411	0.79402	0.79394	0.79385	0.79377	0.79368
15.	0.79360	0.79352	0.79343	0.79335	0.79326	0.79318	0.79309	0.79301	0.79292	0.79284
16.	0.79275	0.79267	0.79258	0.79250	0.79241	0.79232	0.79224	0.79215	0.79207	0.79198
17.	0.79190	0.79181	0.79173	0.79164	0.79156	0.79147	0.79139	0.79130	0.79122	0.79113
18.	0.79105	0.79096	0.79088	0.79079	0.79071	0.79062	0.79054	0.79045	0.79037	0.79028
19.	0.79020	0.79011	0.79002	0.78994	0.78985	0.78977	0.78968	0.78960	0.78951	0.78943
20.	0.78934	0.78926	0.78917	0.78909	0.78900	0.78892	0.78883	0.78874	0.78866	0.78857
21.	0.78849	0.78840	0.78832	0.78823	0.78815	0.78806	0.78797	0.78789	0.78780	0.78772
22.	0.78763	0.78755	0.78746	0.78738	0.78729	0.78720	0.78712	0.78703	0.78695	0.78686
23.	0.78678	0.78669	0.78660	0.78652	0.78643	0.78635	0.78626	0.78618	0.78609	0.78600
24.	0.78592	0.78583	0.78575	0.78566	0.78558	0.78549	0.78540	0.78532	0.78523	0.78515
25.	0.78506	0.78497	0.78489	0.78480	0.78472	0.78463	0.78454	0.78446	0.78437	0.78429
26.	0.78420	0.78411	0.78403	0.78394	0.78386	0.78377	0.78368	0.78360	0.78351	0.78343
27.	0.78334	0.78325	0.78317	0.78308	0.78299	0.78291	0.78282	0.78274	0.78265	0.78256
28.	0.78248	0.78239	0.78230	0.78222	0.78213	0.78205	0.78196	0.78187	0.78179	0.78170
29.	0.78161	0.78153	0.78144	0.78136	0.78127	0.78118	0.78110	0.78101	0.78092	0.78084
30.	0.78075	0.78066	0.78058	0.78049	0.78040	0.78032	0.78023	0.78014	0.78006	0.77997

Density values of C₂H₅OH taken from "American Institute of Physics Handbook".

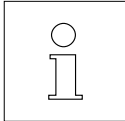
Inhalt

1	Einleitung	17
1.1	Ganz zu Beginn.....	17
1.2	Lieferumfang, Ersatzteile.....	18
2	Waage für Dichtebestimmungen vorbereiten.....	19
3	Prinzip der Dichtebestimmung	20
4	Dichtebestimmung von Festkörpern	20
4.1	Grundlagen.....	20
4.2	Durchführung der Dichtebestimmung	20
4.3	Verbesserung der Resultatgenauigkeit	23
5	Dichtebestimmung von Flüssigkeiten	23
5.1	Grundlagen.....	23
5.2	Durchführung der Dichtebestimmung	24
5.3	Verbesserung der Resultatgenauigkeit	26
6	Zusatzinformationen	26
6.1	Einflussgrößen	26
6.2	Dichtetabelle für destilliertes Wasser	28
6.3	Dichtetabelle für Ethanol	29

1 Einleitung

1.1 Ganz zu Beginn

Wir danken Ihnen, dass Sie den Dichtebestimmungskit zu Ihrer METTLER TOLEDO Waage erworben haben. Mit Hilfe dieses Kits können Sie Ihre Waage zur Bestimmung der Dichte von Festkörpern und Flüssigkeiten einsetzen.



Diese Anleitung beschreibt das Arbeiten mit dem Dichtebestimmungskit. Informationen zur Bedienung Ihrer Waage entnehmen Sie bitte der Bedienungsanleitung, die Sie mit der Waage erhalten haben.

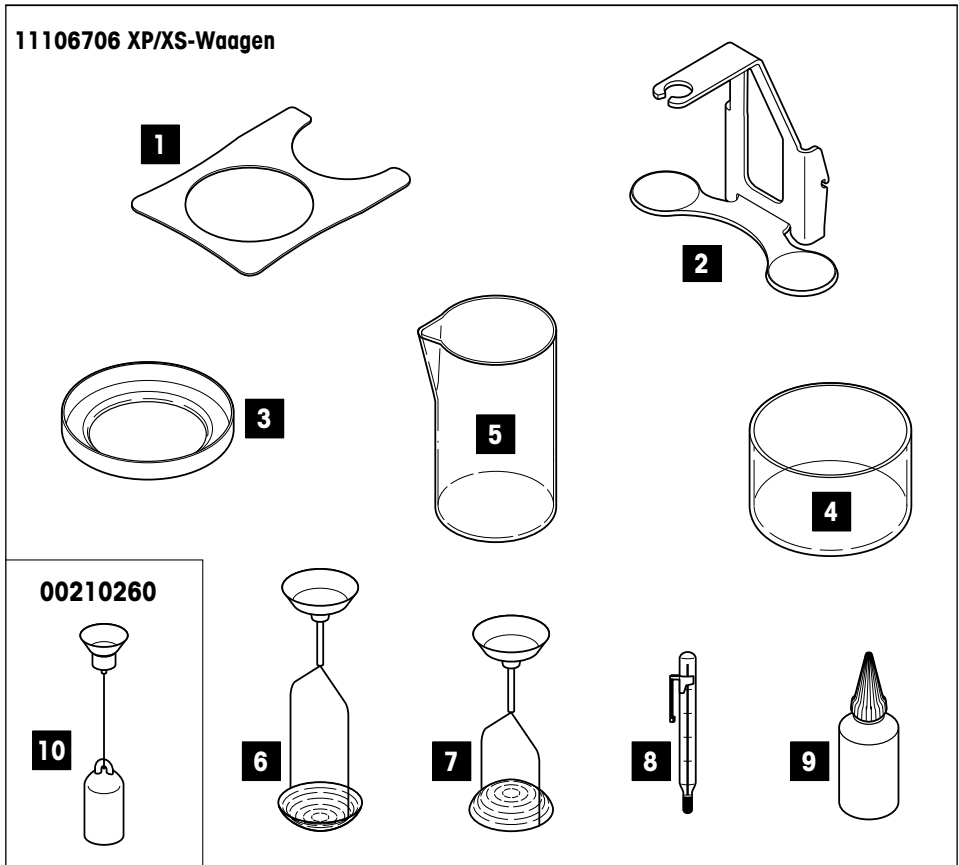


Bitte beachten und befolgen Sie alle Sicherheitshinweise, die in der Bedienungsanleitung Ihrer Waage aufgeführt sind.

1.2 Lieferumfang, Ersatzteile

Der Kit zur **Dichtebestimmung von Festkörpern** enthält die Einzelteile, die in untenstehender Abbildung aufgeführt sind (1–9).

Zur **Dichtebestimmung von Flüssigkeiten** benötigen Sie den oben aufgeführten Kit und zusätzlich den optionalen **Verdrängungskörper 10 ml** (00210260), der ebenfalls abgebildet ist (10). Der Verdrängungskörper ist ausserdem in zertifizierter Ausführung erhältlich (00210672).

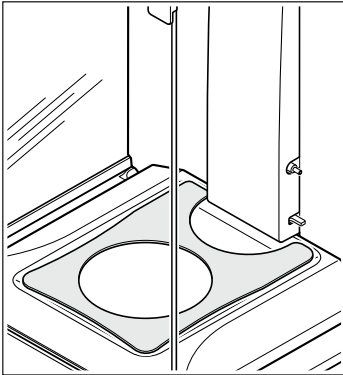


	Bezeichnung	Best.-Nr.
1	Halteplatte	11106728
2	Bügel	11106703
3	Schale	00238164
4	Glas Ø 80 mm	00238167
5	Glas Ø 60 mm	00238166

	Bezeichnung	Best.-Nr.
6	Korb für sinkende Festkörper	00238180
7	Korb für schwimmende Festkörper	00238181
8	Präzisionsthermometer zertifiziert	00238185 00238767
9	Netzmittel	00072409
10	Verdrängungskörper 10 ml	00210260

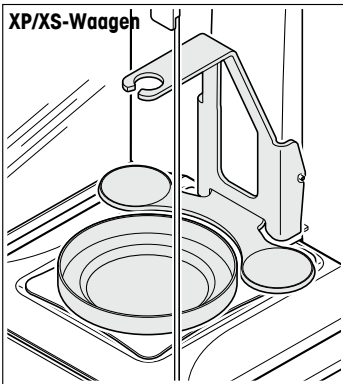
2 Waage für Dichtebestimmungen vorbereiten

Dieses Kapitel beschreibt, wie Sie Ihre Waage in kürzester Zeit zur Bestimmung der Dichte umrüsten. Die Abbildung am Fuss dieser Seite zeigt die für Dichtemessungen vorbereitete Waage.



- Entfernen Sie die Waagschale aus dem Wägeraum.

Dichtekit montiert bei



- Setzen Sie die mitgelieferte Halteplatte (1) ein.
- Hängen Sie den Bügel (2) in der Waagschalenaufhängung ein.
- Stellen Sie die Schale (3) in die Halteplatte.

3 Prinzip der Dichtebestimmung

Die Dichte ρ ist das Verhältnis der Masse m zum Volumen V :

$$\rho = \frac{m}{V}$$

Die nach dem internationalen Einheitensystem vorgeschriebene Einheit für die Dichte ist kg/m^3 . Für Laborzwecke jedoch besser geeignet ist die Einheit g/cm^3 .

Dichtebestimmungen werden häufig nach dem «**Archimedischen Prinzip**» durchgeführt, das auch beim Dichtebestimmungskit für die Waagen verwendet wird. Dieses Prinzip besagt, dass jeder Körper, der in eine Flüssigkeit getaucht wird, um soviel leichter wird, wie die von ihm verdrängte Flüssigkeitsmenge wiegt.

Das Vorgehen zur Dichtebestimmung nach dem «Archimedischen Prinzip» hängt davon ab, ob die **Dichte von Festkörpern oder von Flüssigkeiten** zu ermitteln ist.

4 Dichtebestimmung von Festkörpern

4.1 Grundlagen

Die Dichte eines Festkörpers wird mit Hilfe einer Flüssigkeit bestimmt, deren **Dichte** ρ_0 bekannt ist (als Hilfsflüssigkeiten finden meist destilliertes Wasser oder Ethanol Verwendung). Der Festkörper wird einmal in Luft gewogen (A) und anschliessend in der Hilfsflüssigkeit (B). Aus den beiden Wägungen lässt sich die Dichte ρ wie folgt errechnen:

$$\text{Dichte: } \rho = \frac{A}{A-B} (\rho_0 - \rho_L) + \rho_L$$

$$\text{Volumen: } V = \alpha \frac{A-B}{\rho_0 - \rho_L}$$

ρ = Dichte der Probe

A = Gewicht der Probe in Luft

B = Gewicht der Probe in der Hilfsflüssigkeit

ρ_0 = Dichte der Hilfsflüssigkeit

ρ_L = Luftdichte (0.0012 g/cm^3)

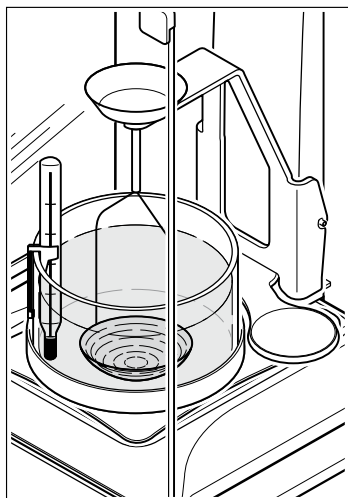
α = Waagen-Korrekturfaktor (0.99985), berücksichtigt den Luftauftrieb des Justiergewichtes.

4.2 Durchführung der Dichtebestimmung

Hinweis: Diese Anleitung beschreibt das Arbeiten mit dem Dichtebestimmungskit. Sie schildert Ihnen das Vorgehen bei der Durchführung einer manuellen Dichtebestimmung.

Informationen zur Bedienung Ihrer XP/XS-Waage entnehmen Sie bitte der Bedienungsanleitung, die Sie mit der Waage erhalten haben. Diese beschreibt unter anderem das Arbeiten mit der Dichtebestimmungssoftware, welche in der XP/XS-Waage integriert ist.

Für die Dichtebestimmung von Festkörpern verwenden Sie das niedrige Glas (4) und einen der beiden Körbe für sinkende (6) oder schwimmende (7) Festkörper.



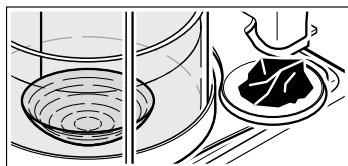
Bereiten Sie die Waage für die Dichtebestimmung vor (Halteplatte, Bügel und Schale installieren) wie in Kapitel 2 beschrieben.

Hängen Sie das mitgelieferte Thermometer (8) am Rand des niedrigen Glases (4) ein. Stellen Sie das Glas in die Schale und füllen Sie es mit der Hilfsflüssigkeit (Flüssigkeit, deren Dichte ρ_0 bekannt ist, meist destilliertes Wasser oder Ethanol). Füllen Sie soviel Flüssigkeit ein, dass der Festkörper nach dem Eintauchen von mindestens 1 cm Flüssigkeit bedeckt ist.

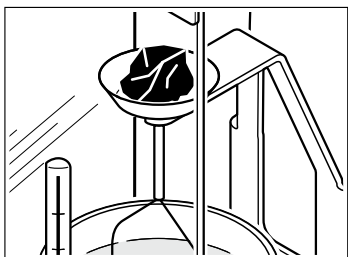
Hängen Sie den geeigneten Korb (6) oder (7) für sinkende oder schwimmende Festkörper an den Bügel (die nebenstehende Abbildung zeigt den Korb für sinkende Festkörper).

Stellen Sie sicher, dass **keine Luftblasen** am eingetauchten Teil des Korbes haften (entfernen Sie allfällige Luftblasen durch Bewegungen des Korbes oder mit einem feinen Pinsel).

Schliessen Sie die Windschutztüren und tarieren Sie die Waage.

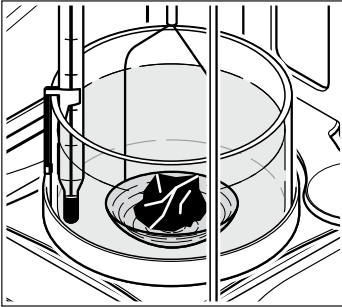


Legen Sie den Festkörper in eine der beiden Waagschalen des Bügels (2). Warten Sie, bis die Gewichtsanzeige der Waage stabil ist (Stillstandskontrolle erlischt) und notieren Sie das angezeigte Gewicht A (Gewicht der Probe in Luft).

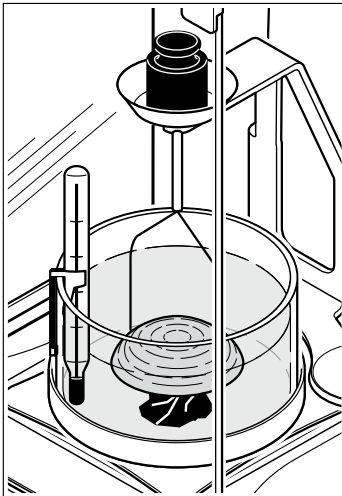


Hinweis

Festkörper mit einem Gewicht von über 20 Gramm legen Sie für die Wägung in Luft in die Schale am oberen Ende des Korbes (über 20 Gramm können bei der Wägung auf einem Ausleger Eckenlastfehler auftreten).



Nehmen Sie den Festkörper aus der Schale, schliessen Sie die Windschutztüren und tariieren Sie die Waage. Legen Sie danach den Festkörper in den Korb (6). Stellen Sie sicher, dass keine Luftblasen am Festkörper haften (allfällige Blasen mit feinem Pinsel entfernen).



Hinweis

Bei **Festkörpern mit einer Dichte von unter 1 g/cm^3** ist der **Korb für schwimmende Festkörper (7)** zu verwenden, der den Körper unter der Oberfläche der Hilfsflüssigkeit hält. Ist der Auftrieb des Festkörpers grösser als das Gewicht des Korbes, muss der Korb durch ein zusätzliches Gewicht auf der oberen Waagschale des Bügels beschwert werden.

Tarieren Sie die Waage nach Auflegen des zusätzlichen Gewichtes und starten Sie den Dichtebestimmungsvorgang erneut durch Wägung des Festkörpers in Luft (A) und danach in der Flüssigkeit (B).

Warten Sie, bis die Waage den Stillstand erreicht hat und notieren Sie den angezeigten Wert B (Gewicht der Probe in der Hilfsflüssigkeit).

Ermitteln Sie nun die gesuchte Dichte ρ des Festkörpers, nach vorstehender Formel (Kapitel 4.1).

4.3 Verbesserung der Resultatgenauigkeit

Die folgenden Hinweise helfen Ihnen, die Genauigkeit der Resultate bei der **Dichtebestimmung von Festkörpern** zu verbessern.

Temperatur

Festkörper sind im allgemeinen so wenig empfindlich auf Temperaturschwankungen, dass die entsprechenden Dichteänderungen nicht von Belang sind. Da jedoch bei der Dichtebestimmung von Festkörpern nach dem «Archimedischen Prinzip» mit einer Hilfsflüssigkeit gearbeitet wird, ist deren Temperatur zu berücksichtigen, denn bei Flüssigkeiten wirkt sich die Temperatur stärker aus und verursacht Dichteänderungen in der Grössenordnung von 0.1 bis 1 ‰ pro °C. Damit wird bereits die dritte Nachkommastelle des Resultates beeinflusst.

Zur Erzielung genauer Resultate empfehlen wir Ihnen, bei allen Dichtebestimmungen die Temperatur der Hilfsflüssigkeit stets mit zu berücksichtigen. Die entsprechenden Werte können Sie einem Tabellenbuch entnehmen. Tabellen für destilliertes Wasser und Ethanol finden Sie in Kapitel 6.

Oberflächenspannung der Hilfsflüssigkeit

Durch Adhäsion der Hilfsflüssigkeit an den Aufhängedrähten des Korbes wird eine scheinbare Gewichtszunahme von bis zu 3 mg erzeugt.

Da der Korb bei beiden Wägungen des Festkörpers (in Luft und in der Hilfsflüssigkeit) in die Hilfsflüssigkeit eingetaucht ist und die Waage vor jeder Messung tariert wird, kann der Einfluss dieser scheinbaren Gewichtszunahme vernachlässigt werden.

Für höchste Ansprüche verwenden Sie einige Tropfen des mitgelieferten Netzmittels (9).

5 Dichtebestimmung von Flüssigkeiten

5.1 Grundlagen

Die Dichte einer Flüssigkeit wird mit Hilfe eines Verdrängungskörpers bestimmt, dessen **Volumen** bekannt ist. Der Verdrängungskörper wird einmal in Luft gewogen und anschliessend in der Flüssigkeit, deren Dichte zu ermitteln ist. Aus den beiden Wägungen lässt sich die Dichte ρ wie folgt errechnen:

$$\text{Dichte: } \rho = \alpha \cdot \frac{A-B}{V} + \rho_L$$

Eine elektronische Waage erlaubt die Dichtebestimmung des "Auftriebs" resp. "des Gewichtes der verdrängten Flüssigkeit" P ($P = A-B$) und folglich lässt sich die obige Formel vereinfachen:

$$\rho = \alpha \frac{P}{V} + \rho_L$$

ρ = Dichte der Flüssigkeit

A = Gewicht des Verdrängungskörpers in Luft

B = Gewicht des Verdrängungskörpers in der Flüssigkeit

V = Volumen des Verdrängungskörpers

ρ_L = Luftdichte (0.0012 g/cm³)

α = Waagen-Korrekturfaktor (0.99985), berücksichtigt den Luftauftrieb des Justiergewichtes

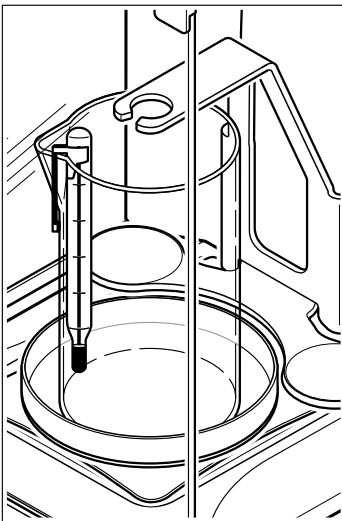
P = Gewicht der verdrängten Flüssigkeit ($P = A - B$).

5.2 Durchführung der Dichtebestimmung

Hinweis: Diese Anleitung beschreibt das Arbeiten mit dem Dichtebestimmungskit. Sie schildert Ihnen das Vorgehen bei der Durchführung einer manuellen Dichtebestimmung.

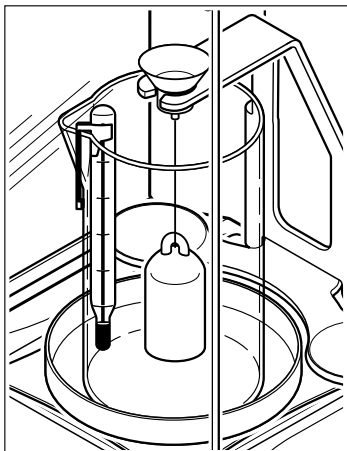
Informationen zur Bedienung Ihrer XP/XS-Waage entnehmen Sie bitte der Bedienungsanleitung, die Sie mit der Waage erhalten haben. Diese beschreibt unter anderem das Arbeiten mit der Dichtebestimmungssoftware, welche in der XP/XS-Waage integriert ist.

Für die Dichtebestimmung von Flüssigkeiten verwenden Sie das hohe Glas (5) und den optionalen Verdrängungskörper (10).



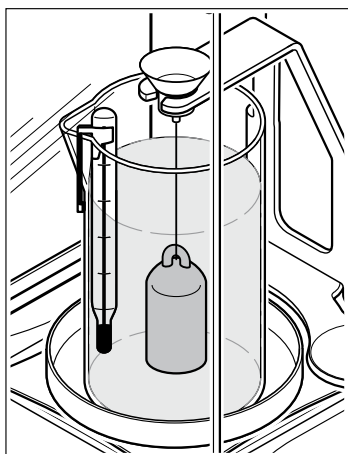
Bereiten Sie die Waage für die Dichtebestimmung vor (Halteplatte, Bügel und Schale installieren) wie in Kapitel 2 beschrieben.

Stellen Sie das hohe Glas (5) in leerem Zustand in die Schale und hängen Sie das mitgelieferte Thermometer (8) am Rand des Glases ein.



Hängen Sie den Verdrängungskörper (10) an den Bügel und stellen Sie sicher, dass er weder das Glas noch das Thermometer berührt.

Tarieren Sie die Waage.



Füllen Sie die Flüssigkeit, deren Dichte Sie ermitteln wollen, ins Glas ein (bis ca. 1 cm über die Aufhängeöse des Verdrängungskörpers). Stellen Sie sicher, dass keine Luftblasen am Verdrängungskörper haften (allfällige Blasen mit feinem Pinsel entfernen).

Warten Sie, bis die Gewichtsanzeige der Waage stabil ist (Stillstandskontrolle erlischt) und notieren Sie den angezeigten Wert P (Gewicht der verdrängten Flüssigkeit).

Ermitteln Sie nun die gesuchte Dichte ρ der Flüssigkeit (bei der vom Thermometer abgelesenen Temperatur), nach vorstehender Formel (Kapitel 5.1).

5.3 Verbesserung der Resultatgenauigkeit

Volumentoleranz des Verdrängungskörpers

Der für die Dichtebestimmung von Flüssigkeiten empfohlene optionale Verdrängungskörper 00210260 entspricht den Anforderungen der Deutschen Eichordnung (EO 13–4, Abs. 9.21). Das Volumen des Verdrängungskörpers 00210260 einschliesslich der unteren Hälfte des Aufhängedrahtes ist so abgeglichen, dass bei der Bestimmung der Dichte von Wasser mit einer Temperatur von 20 °C höchstens ein Fehler von $\pm 0.0005 \text{ g/cm}^3$ hervorgerufen wird.

6 Zusatzinformationen

Dieses Kapitel bietet Informationen zu Einflussgrössen, die die Genauigkeit der Messresultate beeinträchtigen können. Ausserdem finden Sie in diesem Kapitel Dichtetabellen für destilliertes Wasser und Ethanol.

6.1 Einflussgrössen

Neben Temperatur, Luftauftrieb und Oberflächenspannung der Flüssigkeit können die folgenden Grössen die Messresultate zusätzlich beeinflussen:

- Eintauchtiefe des Korbes bzw. des Verdrängungskörpers
- Luftblasen
- Porosität des Festkörpers

Eintauchtiefe des Korbes bzw. des Verdrängungskörpers

Der Verdrängungskörper zur **Dichtebestimmung von Flüssigkeiten** hängt an einem Platindraht von **0.2 mm Durchmesser**. In Wasser erfährt der Draht einen **Auftrieb von ca. 0.3 mg pro 10 mm Eintauchtiefe**.

Beispiel: Steht die Flüssigkeit 10 mm über der Aufhängeöse des Verdrängungskörpers, sind ca. 40 mm Draht eingetaucht. Bei Dichten um 1 entsteht deshalb ein Auftrieb von 1.2 mg. Durch die Division des Auftriebs durch 10 cm^3 (= Volumen des Verdrängungskörpers) wird der Resultatfehler jedoch vernachlässigbar klein und braucht nicht korrigiert zu werden.

Der eintauchende Teil der Körbe für die **Dichtebestimmung von Festkörpern** besteht aus 2 Drähten mit einem **Durchmesser von je 0.7 mm**. Bei einer Flüssigkeitsdichte von 1 resultiert daraus ein **Auftrieb von ca. 0.4 mg pro Millimeter Eintauchtiefe**.

Bei der Wägung des Festkörpers in Luft bleibt der Korb mit gleichbleibender Tiefe eingetaucht. Somit bleibt die Auftriebskraft am Korb konstant und kann deshalb vernachlässigt werden. Wichtig ist jedoch, dass der **Flüssigkeitsstand** zwischen den Wägungen **nicht verändert** wird (die Änderung des Flüssigkeitspegels durch das Eintauchen des Festkörpers ist meist unerheblich).

Luftblasen

Bei schlecht benetzenden Flüssigkeiten (z.B. netzmittelfreies Wasser) ist es möglich, dass an eingetauchten Teilen (Festkörper, Verdrängungskörper, Korb) Luftblasen haften bleiben, die einen Auftrieb erzeugen und damit das Resultat beeinflussen. Eine Blase mit einem Durchmesser von 1 mm bewirkt einen Auftrieb von 0.5 mg, während eine solche mit 2 mm Durchmesser bereits einen Auftrieb von 4 mg erzeugt. Zur Vermeidung von Luftblasen empfehlen sich die folgenden **Vorsichtsmassnahmen**:

- Lösungsmittelbeständige Festkörper entfetten
- Körbe und Verdrängungskörper regelmässig reinigen, eintauchenden Teil nicht mit den Händen berühren
- Körbe und Verdrängungskörper beim ersten Eintauchen leicht schütteln, um allfällige Luftblasen zu lösen
- Stark haftende Luftblasen mit einem feinen Pinsel abstreifen
- Beiliegendes oder handelsübliches Netzmittel oder organische Flüssigkeiten verwenden (die Dichteänderung von destillierten Wasser durch Beigabe von Netzmittel kann vernachlässigt werden).

Porosität des Festkörpers

Beim Eintauchen von porösen Körpern in Flüssigkeit wird üblicherweise nicht die gesamte Luft aus den Poren verdrängt. Dies führt zu Auftriebsfehlern und deshalb lässt sich die Dichte poröser Körper nur annähernd bestimmen.

6.2 Dichtetabelle für destilliertes Wasser

T/°C	0.0	0.1	0.2	0.3	0.4	0.5	0.6	0.7	0.8	0.9
10.	0.99973	0.99972	0.99971	0.99970	0.99969	0.99968	0.99967	0.99966	0.99965	0.99964
11.	0.99963	0.99962	0.99961	0.99960	0.99959	0.99958	0.99957	0.99956	0.99955	0.99954
12.	0.99953	0.99951	0.99950	0.99949	0.99948	0.99947	0.99946	0.99944	0.99943	0.99942
13.	0.99941	0.99939	0.99938	0.99937	0.99935	0.99934	0.99933	0.99931	0.99930	0.99929
14.	0.99927	0.99926	0.99924	0.99923	0.99922	0.99920	0.99919	0.99917	0.99916	0.99914
15.	0.99913	0.99911	0.99910	0.99908	0.99907	0.99905	0.99904	0.99902	0.99900	0.99899
16.	0.99897	0.99896	0.99894	0.99892	0.99891	0.99889	0.99887	0.99885	0.99884	0.99882
17.	0.99880	0.99879	0.99877	0.99875	0.99873	0.99871	0.99870	0.99868	0.99866	0.99864
18.	0.99862	0.99860	0.99859	0.99857	0.99855	0.99853	0.99851	0.99849	0.99847	0.99845
19.	0.99843	0.99841	0.99839	0.99837	0.99835	0.99833	0.99831	0.99829	0.99827	0.99825
20.	0.99823	0.99821	0.99819	0.99817	0.99815	0.99813	0.99811	0.99808	0.99806	0.99804
21.	0.99802	0.99800	0.99798	0.99795	0.99793	0.99791	0.99789	0.99786	0.99784	0.99782
22.	0.99780	0.99777	0.99775	0.99773	0.99771	0.99768	0.99766	0.99764	0.99761	0.99759
23.	0.99756	0.99754	0.99752	0.99749	0.99747	0.99744	0.99742	0.99740	0.99737	0.99735
24.	0.99732	0.99730	0.99727	0.99725	0.99722	0.99720	0.99717	0.99715	0.99712	0.99710
25.	0.99707	0.99704	0.99702	0.99699	0.99697	0.99694	0.99691	0.99689	0.99686	0.99684
26.	0.99681	0.99678	0.99676	0.99673	0.99670	0.99668	0.99665	0.99662	0.99659	0.99657
27.	0.99654	0.99651	0.99648	0.99646	0.99643	0.99640	0.99637	0.99634	0.99632	0.99629
28.	0.99626	0.99623	0.99620	0.99617	0.99614	0.99612	0.99609	0.99606	0.99603	0.99600
29.	0.99597	0.99594	0.99591	0.99588	0.99585	0.99582	0.99579	0.99576	0.99573	0.99570
30.	0.99567	0.99564	0.99561	0.99558	0.99555	0.99552	0.99549	0.99546	0.99543	0.99540

6.3 Dichtetabelle für Ethanol

T/°C	0.0	0.1	0.2	0.3	0.4	0.5	0.6	0.7	0.8	0.9
10.	0.79784	0.79775	0.79767	0.79758	0.79750	0.79741	0.79733	0.79725	0.79716	0.79708
11.	0.79699	0.79691	0.79682	0.79674	0.79665	0.79657	0.79648	0.79640	0.79631	0.79623
12.	0.79614	0.79606	0.79598	0.79589	0.79581	0.79572	0.79564	0.79555	0.79547	0.79538
13.	0.79530	0.79521	0.79513	0.79504	0.79496	0.79487	0.79479	0.79470	0.79462	0.79453
14.	0.79445	0.79436	0.79428	0.79419	0.79411	0.79402	0.79394	0.79385	0.79377	0.79368
15.	0.79360	0.79352	0.79343	0.79335	0.79326	0.79318	0.79309	0.79301	0.79292	0.79284
16.	0.79275	0.79267	0.79258	0.79250	0.79241	0.79232	0.79224	0.79215	0.79207	0.79198
17.	0.79190	0.79181	0.79173	0.79164	0.79156	0.79147	0.79139	0.79130	0.79122	0.79113
18.	0.79105	0.79096	0.79088	0.79079	0.79071	0.79062	0.79054	0.79045	0.79037	0.79028
19.	0.79020	0.79011	0.79002	0.78994	0.78985	0.78977	0.78968	0.78960	0.78951	0.78943
20.	0.78934	0.78926	0.78917	0.78909	0.78900	0.78892	0.78883	0.78874	0.78866	0.78857
21.	0.78849	0.78840	0.78832	0.78823	0.78815	0.78806	0.78797	0.78789	0.78780	0.78772
22.	0.78763	0.78755	0.78746	0.78738	0.78729	0.78720	0.78712	0.78703	0.78695	0.78686
23.	0.78678	0.78669	0.78660	0.78652	0.78643	0.78635	0.78626	0.78618	0.78609	0.78600
24.	0.78592	0.78583	0.78575	0.78566	0.78558	0.78549	0.78540	0.78532	0.78523	0.78515
25.	0.78506	0.78497	0.78489	0.78480	0.78472	0.78463	0.78454	0.78446	0.78437	0.78429
26.	0.78420	0.78411	0.78403	0.78394	0.78386	0.78377	0.78368	0.78360	0.78351	0.78343
27.	0.78334	0.78325	0.78317	0.78308	0.78299	0.78291	0.78282	0.78274	0.78265	0.78256
28.	0.78248	0.78239	0.78230	0.78222	0.78213	0.78205	0.78196	0.78187	0.78179	0.78170
29.	0.78161	0.78153	0.78144	0.78136	0.78127	0.78118	0.78110	0.78101	0.78092	0.78084
30.	0.78075	0.78066	0.78058	0.78049	0.78040	0.78032	0.78023	0.78014	0.78006	0.77997

Dichtewert von C₂H₅OH nach "American Institute of Physics Handbook".

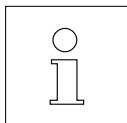
Sommaire

1	Introduction.....	31
1.1	Tout d'abord	31
1.2	Matériel fourni, pièces de rechange.....	32
2	Préparation de la balance pour la détermination de la masse volumique.....	33
3	Principe de la détermination de la masse volumique.....	34
4	Détermination de la masse volumique de solides.....	34
4.1	Principes	34
4.2	Mode opératoire pour la détermination de la masse volumique	34
4.3	Précision des résultats	37
5	Détermination de la masse volumique des liquides.....	37
5.1	Principes	37
5.2	Mode opératoire pour la détermination de la masse volumique	38
5.3	Précision des résultats	40
6	Informations complémentaires.....	40
6.1	Facteurs d'influence	40
6.2	Table des masses volumiques de l'eau distillée	42
6.3	Table des masses volumiques de l'éthanol.....	43

1 Introduction

1.1 Tout d'abord

Nous vous remercions d'avoir choisi le kit de détermination de masse volumique pour votre METTLER TOLEDO balance. Vous pouvez à l'aide de ces accessoires utiliser votre balance pour déterminer la masse volumique de solides ou de liquides.



Ce mode d'emploi décrit la procédure de la détermination de la masse volumique avec le kit. Pour toute information sur l'utilisation de la balance, se référer au mode d'emploi fournis avec la balance.

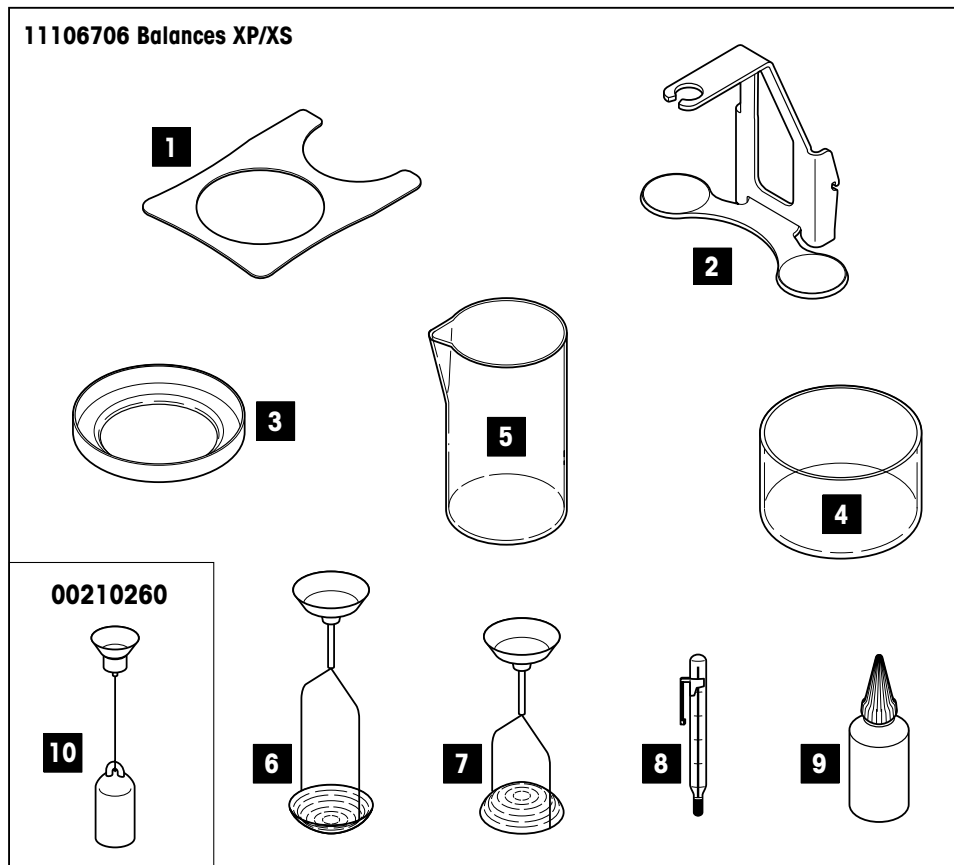


Veillez respecter et suivre toutes les consignes de sécurité mentionnées dans le mode d'emploi de la balance.

1.2 Matériel fourni, pièces de rechange

Le kit de **détermination de la masse volumique de solides** comprennent les éléments représentés sur la figure ci-dessous (1–9).

Pour la **détermination de la masse volumique de liquides**, il est nécessaire de disposer, outre de kit mentionnés ci-dessus, du **plongeur** optionnel de **10 ml** (00210260), représenté également sur la figure (10). De plus, le plongeur est disponible en version certifiée (00210672).

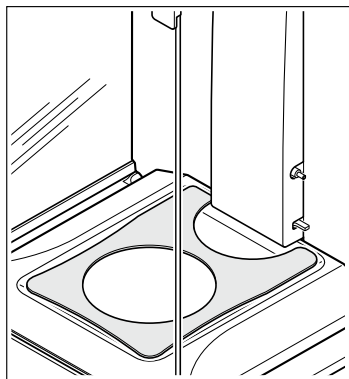


	Désignation	Référence
1	Plaque-support	11106728
2	Console	11106703
3	Plateau creux	00238164
4	Becher de Ø 80 mm	00238167
5	Becher de Ø 60 mm	00238166

	Désignation	Référence
6	Panier pour solides coulants	00238180
7	Panier pour solides flottants	00238181
8	Thermomètre de précision certifiée	00238185 00238767
9	Agent de mouillage	00072409
10	Plongeur de 10 ml	00210260

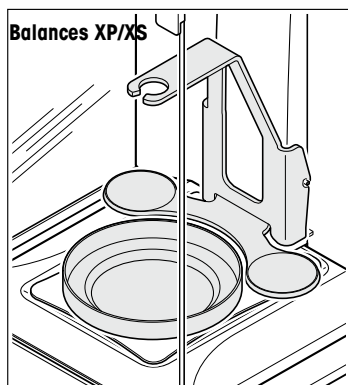
2 Préparation de la balance pour la détermination de la masse volumique

Ce chapitre décrit comment transformer très rapidement votre balance pour la détermination de la masse volumique. Les figures en bas de cette page montrent la balance préparée pour les mesures de la masse volumique.



- Retirer le plateau de la balance de la chambre de pesée.
- Mettre en place la plaque-support (1) fournie.

Kit de détermination de la masse volumique montés sur



- Accrocher la console (2) dans la suspension du plateau.
- Poser le plateau creux (3) dans la plaque-support.

3 Principe de la détermination de la masse volumique

La masse volumique ρ est le rapport de la masse m et du volume V :

$$\rho = \frac{m}{V}$$

L'unité de la masse volumique selon le système international est le **kg/m³**. L'unité **g/cm³** est toutefois mieux adaptée pour les applications de laboratoire.

Les déterminations de la masse volumique sont souvent effectuées selon le «**principe d'Archimède**», principe également employé dans le cas de kit de détermination de masse volumique pour les balances. Ce principe énonce que la valeur du poids de tout corps immergé dans un liquide diminue de la valeur du poids du liquide déplacé.

La procédure de la détermination de la masse volumique selon le principe d'Archimède varie selon que l'on recherche **la masse volumique d'un solide ou d'un liquide**.

4 Détermination de la masse volumique de solides

4.1 Principes

La masse volumique d'un solide est déterminée à l'aide d'un liquide de **masse volumique** ρ_0 connue (les liquides auxiliaires les plus souvent employés sont l'eau distillée ou l'éthanol). Le solide est d'abord pesé dans l'air (A) puis dans le liquide auxiliaire (B). La masse volumique ρ peut être calculée à partir des résultats de ces deux pesées de la manière suivante:

$$\text{Masse volumique: } \rho = \frac{A}{A-B} (\rho_0 - \rho_L) + \rho_L$$

$$\text{Volume: } V = \alpha \frac{A-B}{\rho_0 - \rho_L}$$

ρ = Masse volumique de l'échantillon

A = Poids de l'échantillon dans l'air

B = Poids de l'échantillon dans le liquide auxiliaire

ρ_0 = Masse volumique du liquide auxiliaire

ρ_L = Masse volumique de l'air (0.0012 g/cm³)

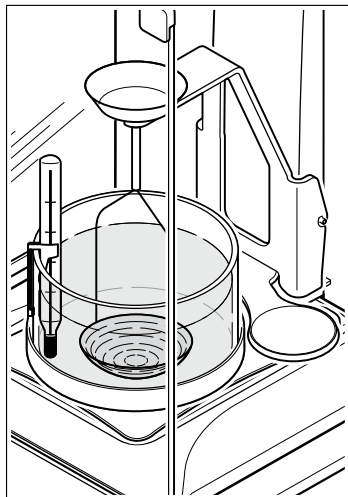
α = Facteur de correction de la balance (0.99985), tient compte de la poussée aérostatique du poids de réglage.

4.2 Mode opératoire pour la détermination de la masse volumique

Remarque: Cette notice décrit l'utilisation du dispositif de détermination de la masse volumique. Elle vous indique la procédure à suivre lors de la réalisation d'une détermination manuelle de la masse volumique.

Des informations pour l'utilisation de votre balance XP/XS sont données dans le mode d'emploi fourni avec votre balance. Celui-ci décrit, entre autres, l'utilisation du logiciel de détermination de la masse volumique intégré dans la balance XP/XS.

Employer pour la détermination de la masse volumique de solides le becher bas (4) et un des deux paniers pour solides coulants (6) ou solides flottants (7).



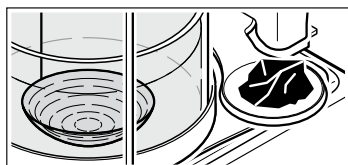
Préparer la balance pour la détermination de la masse volumique (installer la plaque-support, la console, et le plateau creux) comme il est indiqué dans le chapitre 2.

Accrocher le thermomètre (8) fourni avec les accessoires sur le bord du becher bas (4). Mettre le becher dans le plateau creux et le remplir de liquide auxiliaire (liquide de masse volumique ρ_0 connue, le plus souvent eau distillée ou éthanol). Remplir d'une quantité telle que le solide soit recouvert après immersion de 1 cm de liquide au moins.

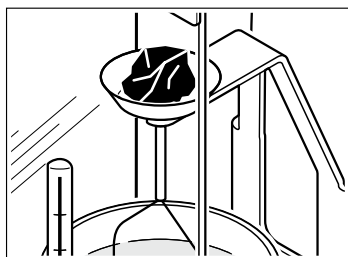
Accrocher à la console le panier approprié (6) ou (7) pour les solides coulants ou flottants (la figure ci-contre montre le panier pour solides coulants).

S'assurer qu'**aucune bulle d'air** n'adhère à la partie immergée du panier (les éliminer le cas échéant en faisant bouger le panier ou à l'aide d'un pinceau fin).

Fermer les portes du pare-brise et tarer la balance.

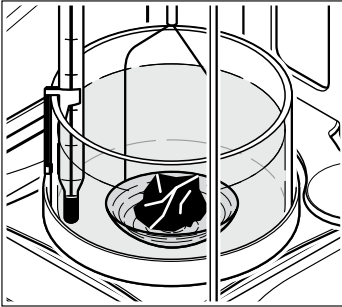


Mettre le solide dans un des deux plateaux du trépied (2). Attendre que l'affichage du poids sur la balance soit stable (le témoin lumineux de stabilité s'allume) et noter le poids affiché A (poids de l'échantillon dans l'air).

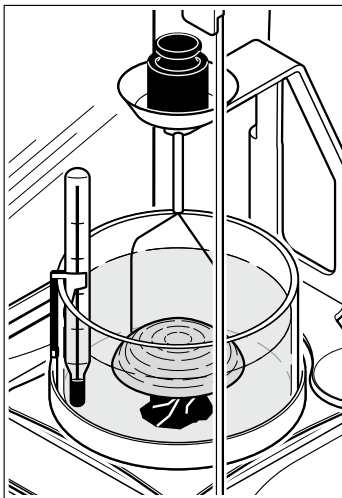


Remarque

Les solides d'un poids supérieur à 20 grammes doivent être posés sur le plateau supérieur du panier pour la pesée dans l'air (la pesée d'un poids de plus de 20 grammes sur un bras peut entraîner une erreur due à la charge excentrée).



Prendre le solide du plateau, fermer les portes du pare-brise et tarer la balance. Mettre après le solide dans le panier (6). S'assurer qu'aucune bulle d'air n'adhère au solide (éliminer les éventuelles bulles d'air à l'aide d'un pinceau fin).



Remarque

Utiliser pour les **solides ayant une masse volumique inférieure à 1 g/cm³ le panier pour solides flottants (7)**, qui maintient le solide sous la surface du liquide. Si la poussée d'Archimède sur le solide est supérieure au poids du panier, le panier doit être alourdi à l'aide d'un poids additionnel posé sur le plateau supérieur de la console.

Tarer la balance après avoir posé le poids additionnel et redémarrer la détermination de la masse volumique en pesant le solide à l'air (A) puis dans le liquide (B).

Attendre que la balance ait atteint l'état stabilisé et noter la valeur B affichée (poids de l'échantillon dans le liquide auxiliaire).

Déterminer à présent la masse volumique cherchée ρ du solide selon la formule indiquée en haut (chapitre 4.1).

4.3 Précision des résultats

Les remarques suivantes permettent d'augmenter la précision des résultats lors de la **détermination de la masse volumique de solides**.

Température

Les variations de la température ont généralement une si faible influence sur les solides que les variations de la masse volumique en résultant sont négligeables. Etant donné toutefois que, lors de la détermination de la masse volumique de solides selon le principe d'Archimède, un liquide auxiliaire est employé, la température de ce dernier doit être prise en compte. En effet, la température a une influence relativement plus importante sur les liquides et engendre des variations de masse volumique de l'ordre de 0.1 à 1 ‰ par °C. Ceci peut avoir une influence sur les résultats déjà à partir du troisième chiffre après la virgule.

Nous conseillons, pour l'obtention de résultats plus précis, de toujours tenir compte, pour toutes les déterminations de la masse volumique, de la température du liquide auxiliaire. Les valeurs correspondantes peuvent être relevées dans des tables. Les tables des masses volumiques de l'eau distillée et de l'éthanol se trouvent dans le chapitre 6.

Tension superficielle du liquide auxiliaire

L'adhésion du liquide auxiliaire sur les fils de suspension du panier génère une augmentation de poids apparente allant jusqu'à 3 mg.

Etant donné que, pour les deux pesées du solide (dans l'air et dans le liquide auxiliaire), le panier est plongé dans le liquide auxiliaire et la balance est tarée avant chaque mesure, l'influence de l'augmentation apparente du poids peut être négligée.

Pour des impératifs très élevés, mettre quelques gouttes d'agent mouillant (9), fourni avec les accessoires.

5 Détermination de la masse volumique des liquides

5.1 Principes

La masse volumique d'un liquide est déterminée à l'aide d'un plongeur de **volume** connu. Le plongeur est d'abord pesé dans l'air puis dans le liquide dont la masse volumique doit être déterminée. La masse volumique ρ peut être calculée à partir du résultat des deux pesées de la manière suivante:

<p>Masse volumique: $\rho = \alpha \frac{A-B}{V} + \rho_L$</p>
--

Une balance électronique permet de déterminer la masse volumique en mesurant la poussée, c'est-à-dire le poids de liquide refoulé P ($P = A-B$). La formule peut par conséquent être simplifiée:

$$\rho = \alpha \frac{P}{V} + \rho_L$$

ρ = Masse volumique du liquide

A = Poids du plongeur dans l'air

B = Poids du plongeur dans le liquide

V = Volume du plongeur

ρ_L = Masse volumique de l'air (0.0012 g/cm³)

α = Facteur de correction de la balance (0.99985), tient compte de la poussée aérostatique du poids de réglage.

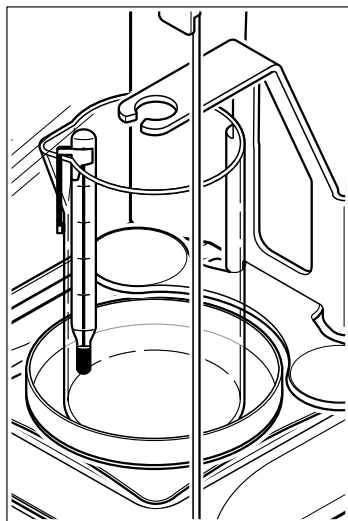
P = Poids du liquide déplacé (P = A-B).

5.2 Mode opératoire pour la détermination de la masse volumique

Remarque: Cette notice décrit l'utilisation du dispositif de détermination de la masse volumique. Elle vous indique la procédure à suivre lors de la réalisation d'une détermination manuelle de la masse volumique.

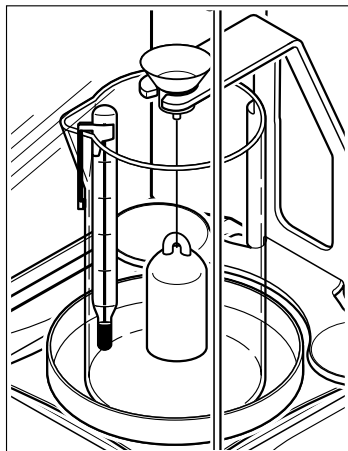
Des informations pour l'utilisation de votre balance XP/XS sont données dans le mode d'emploi fourni avec votre balance. Celui-ci décrit, entre autres, l'utilisation du logiciel de détermination de la masse volumique intégré dans la balance XP/XS.

Employer pour la détermination de la masse volumique de liquides le becher haut (5) et le plongeur optionnel (10).



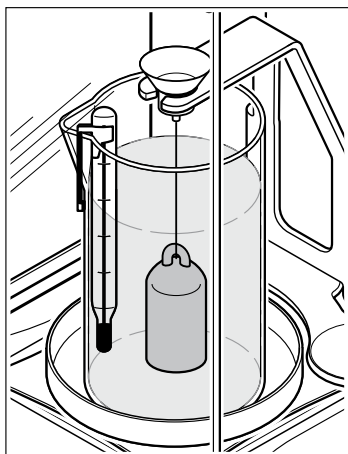
Préparer la balance pour la détermination de la masse volumique (installer la plaque-support, la console, et le plateau creux) comme il est indiqué dans le chapitre 2.

Poser le becher haut (5) vide dans le plateau creux et accrocher sur le bord du becher le thermomètre (8) fourni avec les accessoires.



Accrocher le plongeur (10) à la console et s'assurer qu'il ne touche ni le becher, ni le thermomètre.

Tarer la balance.



Remplir le becher du liquide dont la masse volumique est à déterminer (jusqu'à env. 1 cm au dessus de l'anneau de fixation du plongeur). S'assurer qu'aucune bulle d'air n'adhère au plongeur (éliminer les éventuelles bulles d'air à l'aide d'un pinceau fin).

Attendre que l'affichage du poids sur la balance soit stable (le témoin lumineux de stabilité s'allume) et noter la valeur affichée P (Poids du liquide déplacé).

Déterminer à présent la masse volumique cherchée ρ du liquide (à la température mesurée par le thermomètre) selon la formule indiquée en haut (chapitre 5.1).

5.3 Précision des résultats

Tolérances du volume du plongeur

Le plongeur optionnel 00210260 recommandé pour la détermination de la masse volumique des liquides est conforme aux prescriptions de la législation allemande relative aux instruments de mesure (EO 13-4, paragraphe 9.21). Le volume du plongeur 00210260, la moitié inférieure du fil de suspension comprise, est équilibré de manière à ce que l'erreur maximale engendrée lors de la détermination de la masse volumique de l'eau à une température de 20 °C, soit de $\pm 0.0005 \text{ g/cm}^3$.

6 Informations complémentaires

Ce chapitre fournit des informations sur les facteurs pouvant influencer la précision des résultats de mesure. Ce chapitre comprend de plus les tables des masses volumiques de l'eau distillée et de l'éthanol.

6.1 Facteurs d'influence

Outre la température, la poussée de l'air et la tension superficielle du liquide, les facteurs suivants peuvent également influencer les résultats de mesure:

- Profondeur d'immersion du panier ou du plongeur
- Bulles d'air
- Porosité du solide

Profondeur d'immersion du panier ou du plongeur

Le plongeur est accroché pour la **détermination de la masse volumique de liquides** à un fil de platine de **0.2 mm de diamètre**. Le fil subit dans l'eau une **poussée de 0.3 mg env. par 10 mm de longueur immergée**.

Exemple: Si la surface du liquide est 10 mm au dessus de l'anneau de fixation du plongeur, 40 mm de fil env. sont immergés. Pour une masse volumique peu différente de 1, il en résulte une poussée de 1.2 mg. De par la division de la poussée par 10 cm^3 (volume du plongeur), l'erreur du résultat devient négligeable et il n'est pas nécessaire de la corriger.

La partie immergée du panier pour la **détermination de la masse volumique de solides** est composée de 2 fils de **0.7 mm de diamètre**. Pour une densité de liquide de 1, la **poussée en résultant est d'env. 0.4 mg par millimètre immergé**.

Lors de la pesée du solide dans l'air, le panier reste immergé à la même profondeur. Il est toutefois important que de **ne pas changer le niveau du liquide** entre les deux pesées (la variation du niveau du liquide due à l'immersion du solide est la plupart du temps négligeable).

Bulles d'air

Pour des liquides peu mouillants (par exemple l'eau pure), il est possible que des bulles d'air adhèrent aux parties immergées (solide, plongeur, panier) et génèrent ainsi une poussée qui pourrait avoir une influence sur les résultats. Une bulle d'air de 1 mm de diamètre entraîne une poussée de 0.5 mg alors qu'une bulle d'air de 2 mm de diamètre exerce une poussée atteignant 4 mg. Pour éviter les bulles d'air, il est conseillé de prendre les précautions suivantes:

- Dégraisser les solides résistants aux solvants
- Nettoyer régulièrement les paniers et le plongeur, ne pas toucher les parties immergées avec les mains
- Secouer légèrement les paniers et le plongeur lors de la première immersion pour dégager les éventuelles bulles d'air.
- Eliminer les bulles d'air fortement adhérentes à l'aide d'un pinceau fin
- Utiliser l'agent mouillant fourni, un agent de type courant ou des liquides organiques (la variation de la densité de l'eau distillée due à l'addition d'un agent mouillant peut être négligée).

Porosité du solide

Lors de l'immersion de corps poreux dans un liquide, l'air n'est normalement pas complètement chassé des pores. Ceci conduit à des erreurs de poussée. C'est pourquoi, la valeur déterminée de la masse volumique d'un corps poreux ne peut être qu'une valeur approchée.

6.2 Table des masses volumiques de l'eau distillée

T/°C	0.0	0.1	0.2	0.3	0.4	0.5	0.6	0.7	0.8	0.9
10.	0.99973	0.99972	0.99971	0.99970	0.99969	0.99968	0.99967	0.99966	0.99965	0.99964
11.	0.99963	0.99962	0.99961	0.99960	0.99959	0.99958	0.99957	0.99956	0.99955	0.99954
12.	0.99953	0.99951	0.99950	0.99949	0.99948	0.99947	0.99946	0.99944	0.99943	0.99942
13.	0.99941	0.99939	0.99938	0.99937	0.99935	0.99934	0.99933	0.99931	0.99930	0.99929
14.	0.99927	0.99926	0.99924	0.99923	0.99922	0.99920	0.99919	0.99917	0.99916	0.99914
15.	0.99913	0.99911	0.99910	0.99908	0.99907	0.99905	0.99904	0.99902	0.99900	0.99899
16.	0.99897	0.99896	0.99894	0.99892	0.99891	0.99889	0.99887	0.99885	0.99884	0.99882
17.	0.99880	0.99879	0.99877	0.99875	0.99873	0.99871	0.99870	0.99868	0.99866	0.99864
18.	0.99862	0.99860	0.99859	0.99857	0.99855	0.99853	0.99851	0.99849	0.99847	0.99845
19.	0.99843	0.99841	0.99839	0.99837	0.99835	0.99833	0.99831	0.99829	0.99827	0.99825
20.	0.99823	0.99821	0.99819	0.99817	0.99815	0.99813	0.99811	0.99808	0.99806	0.99804
21.	0.99802	0.99800	0.99798	0.99795	0.99793	0.99791	0.99789	0.99786	0.99784	0.99782
22.	0.99780	0.99777	0.99775	0.99773	0.99771	0.99768	0.99766	0.99764	0.99761	0.99759
23.	0.99756	0.99754	0.99752	0.99749	0.99747	0.99744	0.99742	0.99740	0.99737	0.99735
24.	0.99732	0.99730	0.99727	0.99725	0.99722	0.99720	0.99717	0.99715	0.99712	0.99710
25.	0.99707	0.99704	0.99702	0.99699	0.99697	0.99694	0.99691	0.99689	0.99686	0.99684
26.	0.99681	0.99678	0.99676	0.99673	0.99670	0.99668	0.99665	0.99662	0.99659	0.99657
27.	0.99654	0.99651	0.99648	0.99646	0.99643	0.99640	0.99637	0.99634	0.99632	0.99629
28.	0.99626	0.99623	0.99620	0.99617	0.99614	0.99612	0.99609	0.99606	0.99603	0.99600
29.	0.99597	0.99594	0.99591	0.99588	0.99585	0.99582	0.99579	0.99576	0.99573	0.99570
30.	0.99567	0.99564	0.99561	0.99558	0.99555	0.99552	0.99549	0.99546	0.99543	0.99540

6.3 Table des masses volumiques de l'éthanol

T/°C	0.0	0.1	0.2	0.3	0.4	0.5	0.6	0.7	0.8	0.9
10.	0.79784	0.79775	0.79767	0.79758	0.79750	0.79741	0.79733	0.79725	0.79716	0.79708
11.	0.79699	0.79691	0.79682	0.79674	0.79665	0.79657	0.79648	0.79640	0.79631	0.79623
12.	0.79614	0.79606	0.79598	0.79589	0.79581	0.79572	0.79564	0.79555	0.79547	0.79538
13.	0.79530	0.79521	0.79513	0.79504	0.79496	0.79487	0.79479	0.79470	0.79462	0.79453
14.	0.79445	0.79436	0.79428	0.79419	0.79411	0.79402	0.79394	0.79385	0.79377	0.79368
15.	0.79360	0.79352	0.79343	0.79335	0.79326	0.79318	0.79309	0.79301	0.79292	0.79284
16.	0.79275	0.79267	0.79258	0.79250	0.79241	0.79232	0.79224	0.79215	0.79207	0.79198
17.	0.79190	0.79181	0.79173	0.79164	0.79156	0.79147	0.79139	0.79130	0.79122	0.79113
18.	0.79105	0.79096	0.79088	0.79079	0.79071	0.79062	0.79054	0.79045	0.79037	0.79028
19.	0.79020	0.79011	0.79002	0.78994	0.78985	0.78977	0.78968	0.78960	0.78951	0.78943
20.	0.78934	0.78926	0.78917	0.78909	0.78900	0.78892	0.78883	0.78874	0.78866	0.78857
21.	0.78849	0.78840	0.78832	0.78823	0.78815	0.78806	0.78797	0.78789	0.78780	0.78772
22.	0.78763	0.78755	0.78746	0.78738	0.78729	0.78720	0.78712	0.78703	0.78695	0.78686
23.	0.78678	0.78669	0.78660	0.78652	0.78643	0.78635	0.78626	0.78618	0.78609	0.78600
24.	0.78592	0.78583	0.78575	0.78566	0.78558	0.78549	0.78540	0.78532	0.78523	0.78515
25.	0.78506	0.78497	0.78489	0.78480	0.78472	0.78463	0.78454	0.78446	0.78437	0.78429
26.	0.78420	0.78411	0.78403	0.78394	0.78386	0.78377	0.78368	0.78360	0.78351	0.78343
27.	0.78334	0.78325	0.78317	0.78308	0.78299	0.78291	0.78282	0.78274	0.78265	0.78256
28.	0.78248	0.78239	0.78230	0.78222	0.78213	0.78205	0.78196	0.78187	0.78179	0.78170
29.	0.78161	0.78153	0.78144	0.78136	0.78127	0.78118	0.78110	0.78101	0.78092	0.78084
30.	0.78075	0.78066	0.78058	0.78049	0.78040	0.78032	0.78023	0.78014	0.78006	0.77997

Valeur de la masse volumique du C₂H₅OH selon le "American Institute of Physics Handbook".

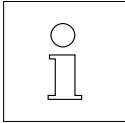
Indíce

1	Introducción	45
1.1	Lo primero	45
1.2	Material suministrado, repuestos	46
2	Preparación de la balanza para determinar densidades	47
3	Principio de la determinación de densidades	48
4	Determinación de la densidad de sólidos	48
4.1	Principios	48
4.2	Realización de la determinación de densidades	48
4.3	Mejora de la exactitud del resultado	51
5	Determinación de la densidad de líquidos	51
5.1	Principios	51
5.2	Realización de la determinación de densidades	52
5.3	Mejora de la exactitud del resultado	54
6	Informaciones adicionales	54
6.1	Factores de influencia	54
6.2	Tablas de densidades para agua destilada	56
6.3	Tablas de densidades para etanol	57

1 Introducción

1.1 Lo primero

Le agradecemos que haya adquirido el conjunto de determinar densidades para su METTLER TOLEDO balanza. Con ayuda de este conjunto puede Vd. utilizar su balanza para medir la densidad de sólidos y líquidos.



Estas instrucciones describen cómo trabajar con el conjunto para determinar densidades. Las informaciones sobre el manejo de su balanza se encuentran en las instrucciones de manejo generales que ha recibido Vd. con la balanza.

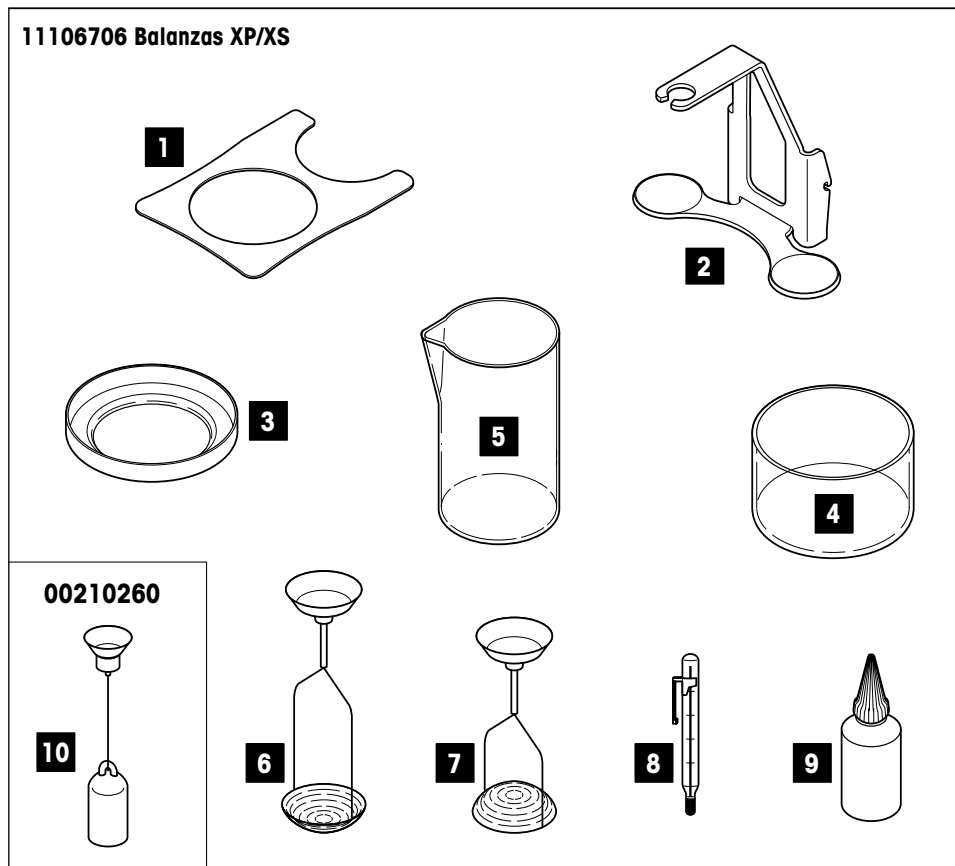


Preste atención y observe todas las advertencias de seguridad contenidas en las instrucciones de manejo de su balanza.

1.2 Material suministrado, repuestos

El conjunto para **determinar densidades de sólidos** contiene las partes individuales expuestas en la ilustración de abajo (1–9).

Para la **determinación de densidades de líquidos** Vd necesita el conjunto anterior y además el **cuerpo de desplazamiento opcional de 10 ml** (00210260), también reproducido (10). El cuerpo de desplazamiento está también disponible en versión certificada (00210672).

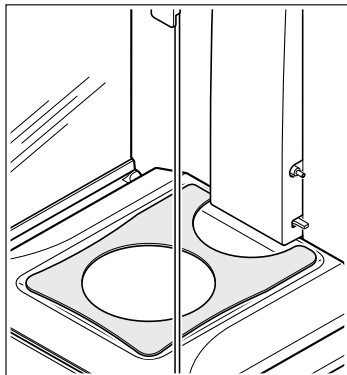


	Designación	Nº pedido
1	Placa de soporte	11106728
2	Pescante	11106703
3	Platillo	00238164
4	Vaso de 80 mm Ø	00238167
5	Vaso de 60 mm Ø	00238166

	Designación	Nº pedido
6	Cesta para sólidos sumergidos	00238180
7	Cesta para sólidos flotantes	00238181
8	Termómetro de precisión certificada	00238185 00238767
9	Humectante	00072409
10	Cuerpo de desplazamiento de 10 ml	00210260

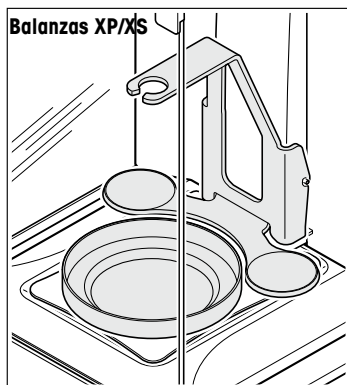
2 Preparación de la balanza para determinar densidades

Este capítulo describe cómo adapta Vd. su balanza a la determinación de densidades en un tiempo mínimo. Retirar le plateau de la balance de la chambre de pesée.



- Retire el platillo de la cámara de pesada.
- Incorpore la placa de soporte suministrada (1).

Conjunto para densidades montado



- Cuelgue el pescante (2) en la suspensión del platillo.
- Ponga el platillo (3) en la placa de soporte.

3 Principio de la determinación de densidades

La densidad ρ es la relación entre masa m y volumen V :

$$\rho = \frac{m}{V}$$

La unidad prescrita según el sistema internacional de unidades para la densidad es **kg/m³**. Sin embargo, para fines de laboratorio es más adecuada la unidad **g/cm³**.

Las determinaciones de densidad se realizan a menudo según el «**principio de Arquímedes**», que también se aplica en el conjunto de determinar densidades para las balanzas. Según este principio cualquier cuerpo sumergido en un líquido pierde tanto peso como pesa el volumen de líquido por él desplazado.

El procedimiento para determinar densidades según el «principio de Arquímedes» depende de que se trate de la **densidad de sólidos o de líquidos**.

4 Determinación de la densidad de sólidos

4.1 Principios

La densidad de un sólido se determina con ayuda de un líquido, cuya **densidad** ρ_0 es conocida (como líquidos auxiliares se utilizan generalmente agua destilada o etanol). El sólido se pesa una vez en aire (A) y luego en el líquido auxiliar (B). A partir de las dos pesadas se puede calcular la densidad ρ en la forma siguiente:

$$\text{Densidad: } \rho = \frac{A}{A-B} (\rho_0 - \rho_L) + \rho_L$$

ρ = Densidad de la muestra

A = Peso de la muestra en aire

B = Peso de la muestra en el líquido auxiliar

ρ_0 = Densidad del líquido auxiliar

ρ_L = Densidad del aire (0.0012 g/cm³)

α = Factor de corrección de la balanza (0.99985), teniendo en cuenta el empuje del aire de la pesa de ajuste.

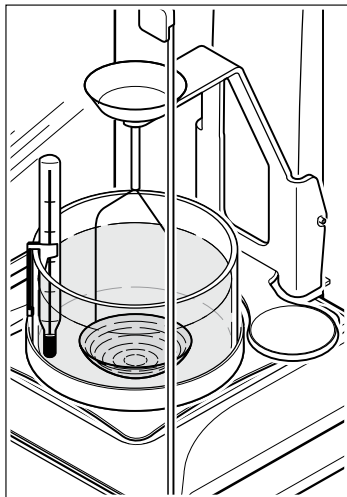
$$\text{Volumen: } V = \alpha \frac{A-B}{\rho_0 - \rho_L}$$

4.2 Realización de la determinación de densidades

Nota: Estas instrucciones describen los trabajos con el conjunto de determinación de densidades y explican el procedimiento para realizar una determinación manual de densidades.

Encontrará más información acerca de la utilización de su balanza XP/XS en manual de instrucciones que se entregan junto con la balanza. En ellas se explica, por ejemplo, cómo se trabaja con el software de determinación de densidades integrado en la balanza XP/XS.

Para determinar la densidad de sólidos utilice el vaso bajo (4) y una de las dos cestitas para sólidos sumergidos (6) o flotantes (7).



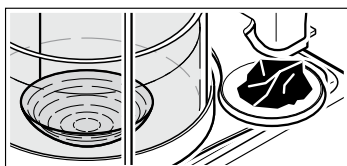
Prepare la balanza para determinar densidades (placa de soporte, pescante y platillo), tal como se explica en el capítulo 2.

Suspenda el termómetro suministrado (8) del borde del vaso bajo (4). Ponga el vaso en el platillo y llénelo de líquido auxiliar (cuya densidad ρ_0 es conocida, generalmente agua destilada o etanol). Añada el líquido necesario para que el sólido quede cubierto, después de sumergido, por 1 cm de líquido como mínimo.

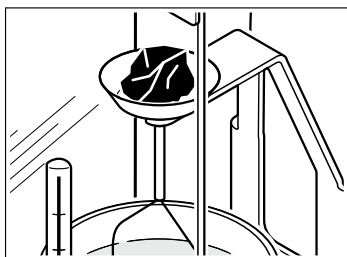
Suspenda del pescante la cesta apropiada (6) ó (7) para sólidos sumergidos o flotantes (la ilustración de la izquierda muestra la cesta para sólidos sumergidos).

Asegúrese de que **no hay burbujas de aire** adheridas a la parte sumergida de la cesta (elimine las que pueda haber moviendo la cesta o con un pincel fino).

Cierre las ventanillas del corta-aíres y tare.

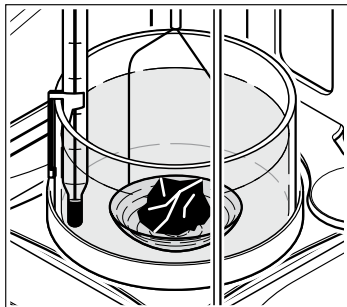


Coloque el sólido en uno de los dos platillos del pescante (2). Espere a que la indicación de peso de la balanza se estabilice (el detector de estabilidad se apaga) y anote el peso mostrado A (peso de la muestra en aire).

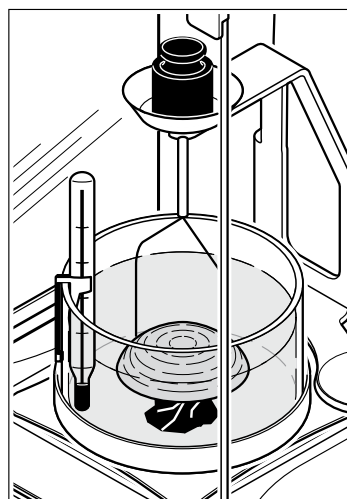


Nota

Para pesar en el aire coloque los sólidos de más de 20 gramos en la cápsula del extremo superior de la cesta (por encima de 20 gramos puede haber error por carga descentrada si se pesa sobre un brazo).



Retire el sólido de la cápsula, cierre las ventanillas del corta-aíres y tare la balanza. Coloque después el sólido en la cesta (6). Asegúrese de no hay burbujas de aire adheridas al sólido (si las hay, quítelas con un pincel).



Nota

Para **sólidos con una densidad inferior a 1 g/cm³** hay que **utilizar la cesta para sólidos flotantes (7)**, que mantiene el cuerpo por debajo de la superficie del líquido auxiliar. Si el empuje del sólido es mayor que el peso de la cesta, hay que cargar ésta con un peso adicional en el platillo superior del pescante.

Haga el tarado después de colocar el peso adicional e inicie de nuevo el proceso de determinación de la densidad pesando el sólido en el aire (A) y después en el líquido (B).

Espera a que la balanza esté en equilibrio y anote el valor indicado B (peso de la muestra en el líquido auxiliar).

Calcule ahora la densidad buscada ρ del sólido según fórmula precedente (capítulo 4.1).

4.3 Mejora de la exactitud del resultado

Las indicaciones siguientes le ayudarán a mejorar la exactitud de los resultados en la **determinación de densidades de sólidos**.

Temperatura

Los sólidos son en general tan poco sensibles a las variaciones de temperatura que los cambios de densidad producidos son poco importantes. Sin embargo, dado que para determinar la densidad de sólidos según el «principio de Arquímedes» se trabaja con un líquido auxiliar, hay que tener en cuenta su temperatura, pues en los líquidos la temperatura tiene mayor influencia y origina cambios de densidad del orden de 0.1 a 1 ‰ por °C, con lo ya el tercer decimal del resultado resulta afectado.

Para obtener resultados más precisos le recomendamos tener siempre en cuenta la temperatura del líquido auxiliar en cualquier determinación de densidad. Los valores correspondientes puede tomarlos de un libro de tablas. En el capítulo 6 encontrará tablas para agua destilada y etanol.

Tensión superficial del líquido auxiliar

Por adhesión del líquido auxiliar a los alambres de suspensión de la cesta se produce un aumento de peso aparente de hasta 3 mg.

Puesto que durante ambas pesadas del sólido (en aire y en el líquido auxiliar) la cesta está sumergida en este último y se tara antes de cada medición, puede despreciarse el efecto del aumento de peso aparente.

Para altas exigencias utilice varias gotas del humectante entregado (9).

5 Determinación de la densidad de líquidos

5.1 Principios

La densidad de un líquido se determina con ayuda de un cuerpo de desplazamiento cuyo **volumen** es conocido, pesándolo una vez en aire y luego en el líquido cuya densidad se va a calcular. A partir de ambas pesadas se puede calcular la densidad ρ en la forma siguiente:

$$\text{Densidad: } \rho = \alpha \frac{A-B}{V} + \rho_L$$

Las balanzas electrónicas permiten la determinación de la densidad del “empuje” respecto del “peso del líquido desplazado” P ($P = A-B$) con lo que la fórmula anterior se simplifica:

$$\rho = \alpha \frac{P}{V} + \rho_L$$

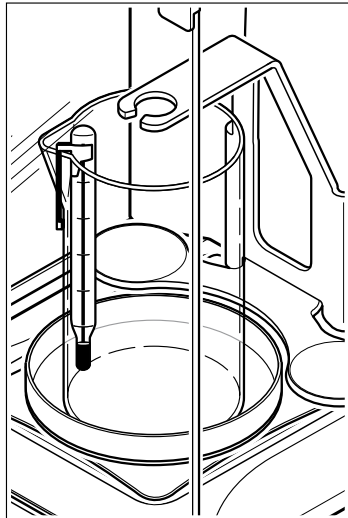
- ρ = Densidad del líquido
- A = Peso del cuerpo de desplazamiento en aire
- B = Peso del cuerpo de desplazamiento en el líquido
- V = Volumen del cuerpo de desplazamiento
- ρ_L = Densidad del aire (0.0012 g/cm³)
- α = Factor de corrección de la balanza (0.99985),
teniendo en cuenta el empuje del aire de la pesa de ajuste.
- P = Peso del líquido desplazados (P = A-B).

5.2 Realización de la determinación de densidades

Nota: Estas instrucciones describen los trabajos con el conjunto de determinación de densidades y explican el procedimiento para realizar una determinación manual de densidades.

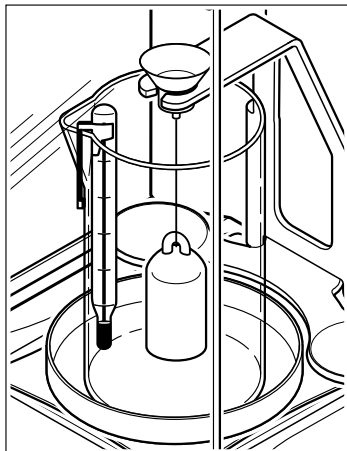
Encontrará más información acerca de la utilización de su balanza XP/XS en el manual de instrucciones que se entrega junto con la balanza. En ellas se describe, por ejemplo, cómo se trabaja con el software de determinación de densidades integrado en la balanza XP/XS.

Para determinar la densidad de líquidos utilice el vaso alto (5) y el cuerpo de desplazamiento opcional (10).



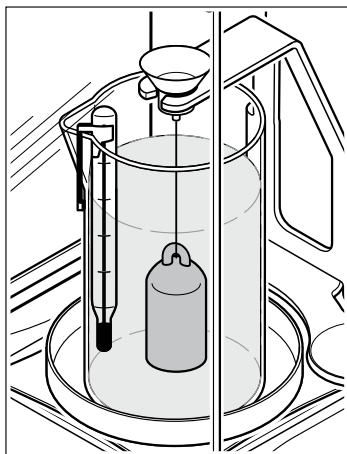
Prepare la balanza para determinar densidades (placa de soporte, pescante y platillo), tal como se explica en el capítulo 2.

Ponga el vaso alto (5) vacío en el platillo y suspenda el termómetro suministrado (8) del borde del vaso.



Suspenda el cuerpo de desplazamiento (10) del pescante y asegúrese de que no toca el vaso ni el termómetro.

Tare la balanza.



Añada el líquido cuya densidad quiere determinar al vaso (hasta 1 cm por encima del ojete de suspensión del cuerpo de desplazamiento). Asegúrese de que no hay burbujas de aire adheridos al cuerpo de desplazamiento (si las hay, quítelas con un pincel).

Espera a que la indicación de peso de la balanza se estabilice (detector de estabilidad apagado) y anote el valor indicado P (Peso del líquido desplazados).

Calcule ahora la densidad buscada ρ del líquido (a la temperatura leída del termómetro), según fórmula precedente (capítulo 5.1).

5.3 Mejora de la exactitud del resultado

Tolerancia de volumen del cuerpo de desplazamiento

El cuerpo de desplazamiento opcional 00210260, recomendado para determinar densidades de líquidos, satisface las exigencias de la norma de verificación alemana (EO 13-4, apartado 9.21). El volumen del cuerpo de desplazamiento 00210260, incluida la mitad inferior del alambre de suspensión, está ajustado de modo que en la determinación de la densidad del agua con un temperatura de 20 °C se produce como máximo un error de $\pm 0.0005 \text{ g/cm}^3$.

6 Informaciones adicionales

Este capítulo ofrece informaciones sobre los factores de influencia que pueden mermar la exactitud de los resultados de medida. Contiene también tablas de densidades para agua destilada y etanol.

6.1 Factores de influencia

Además de temperatura, empuje del aire y tensión superficial del líquido, los factores siguientes pueden influir sobre los resultados de medida:

- Profundidad de inmersión de la cesta o del cuerpo de desplazamiento
- Burbujas de aire
- Porosidad del sólido

Profundidad de inmersión de la cesta o del cuerpo de desplazamiento

El cuerpo de desplazamiento para **determinar densidades de líquidos** pende de un alambre de platino de **0.2 mm de diámetro**. En el agua el alambre experimenta un **empuje de 0.3 mg por cada 10 mm de profundidad de inmersión**.

Ejemplo: Si el líquido se encuentra 10 mm por encima del ojete de suspensión, quedan sumergidos unos 40 mm de alambre, por lo que con densidades próximas a 1 se origina un empuje de 1.2 mg. Pero si dividimos el empuje por 10 cm^3 (= volumen del cuerpo de desplazamiento) el error del resultado se hace despreciable y no necesita corrección.

La parte sumergida de las cestas para **determinar densidades de sólidos** está formada por 2 alambres de **0.7 mm de diámetro**, por lo que con una densidad de líquido de 1 se origina un **empuje de unos 0.4 mg por mililitro de profundidad de inmersión**.

Durante la pesada del sólido en aire la cesta permanece sumergida a profundidad constante. Por tanto la fuerza de empuje en el cesta permanece también constante, pudiéndose despreciar. Pero es importante que **no cambie el nivel del líquido** entre las pesadas (la variación del nivel del líquido por la inmersión del sólido es generalmente insignificante).

Burbujas de aire

Cuando se trata de líquidos difíciles de humectar (p. ej. agua sin humectante) es posible que en las partes sumergidas (sólido, cuerpo de desplazamiento, cesta) queden adheridas burbujas que produzcan un empuje e influyan sobre el resultado. Una burbuja con un diámetro de 1 mm produce un empuje de 0.5 mg, mientras que otra de 2 mm de diámetro origina ya un empuje de 4 mg. Para evitar las burbujas de aire se recomienda adoptar las **siguientes precauciones:**

- Desengrasar los sólidos resistentes a los disolventes
- Limpiar periódicamente cestas y cuerpos de desplazamiento, no tocar la parte a sumergir con las manos
- Sacudir ligeramente cestas y cuerpos de desplazamiento para desprender las burbujas de aire que puedan tener.
- Quitar las burbujas fuertemente adheridas con un pincel fino
- Utilizar el humectante suministrado u otro comercial, o bien líquidos orgánicos (la variación de densidad del agua destilada por la adición de humectante se puede despreciar).

Porosidad del sólido

Al sumergir cuerpos porosos en líquido no se expulsa normalmente todo el aire de los poros. Ello ocasiona errores por empuje, por lo que la densidad de los cuerpos porosos sólo se puede determinar de forma aproximada.

6.2 Tablas de densidades para agua destilada

T/°C	0.0	0.1	0.2	0.3	0.4	0.5	0.6	0.7	0.8	0.9
10.	0.99973	0.99972	0.99971	0.99970	0.99969	0.99968	0.99967	0.99966	0.99965	0.99964
11.	0.99963	0.99962	0.99961	0.99960	0.99959	0.99958	0.99957	0.99956	0.99955	0.99954
12.	0.99953	0.99951	0.99950	0.99949	0.99948	0.99947	0.99946	0.99944	0.99943	0.99942
13.	0.99941	0.99939	0.99938	0.99937	0.99935	0.99934	0.99933	0.99931	0.99930	0.99929
14.	0.99927	0.99926	0.99924	0.99923	0.99922	0.99920	0.99919	0.99917	0.99916	0.99914
15.	0.99913	0.99911	0.99910	0.99908	0.99907	0.99905	0.99904	0.99902	0.99900	0.99899
16.	0.99897	0.99896	0.99894	0.99892	0.99891	0.99889	0.99887	0.99885	0.99884	0.99882
17.	0.99880	0.99879	0.99877	0.99875	0.99873	0.99871	0.99870	0.99868	0.99866	0.99864
18.	0.99862	0.99860	0.99859	0.99857	0.99855	0.99853	0.99851	0.99849	0.99847	0.99845
19.	0.99843	0.99841	0.99839	0.99837	0.99835	0.99833	0.99831	0.99829	0.99827	0.99825
20.	0.99823	0.99821	0.99819	0.99817	0.99815	0.99813	0.99811	0.99808	0.99806	0.99804
21.	0.99802	0.99800	0.99798	0.99795	0.99793	0.99791	0.99789	0.99786	0.99784	0.99782
22.	0.99780	0.99777	0.99775	0.99773	0.99771	0.99768	0.99766	0.99764	0.99761	0.99759
23.	0.99756	0.99754	0.99752	0.99749	0.99747	0.99744	0.99742	0.99740	0.99737	0.99735
24.	0.99732	0.99730	0.99727	0.99725	0.99722	0.99720	0.99717	0.99715	0.99712	0.99710
25.	0.99707	0.99704	0.99702	0.99699	0.99697	0.99694	0.99691	0.99689	0.99686	0.99684
26.	0.99681	0.99678	0.99676	0.99673	0.99670	0.99668	0.99665	0.99662	0.99659	0.99657
27.	0.99654	0.99651	0.99648	0.99646	0.99643	0.99640	0.99637	0.99634	0.99632	0.99629
28.	0.99626	0.99623	0.99620	0.99617	0.99614	0.99612	0.99609	0.99606	0.99603	0.99600
29.	0.99597	0.99594	0.99591	0.99588	0.99585	0.99582	0.99579	0.99576	0.99573	0.99570
30.	0.99567	0.99564	0.99561	0.99558	0.99555	0.99552	0.99549	0.99546	0.99543	0.99540

6.3 Tablas de densidades para etanol

T/°C	0.0	0.1	0.2	0.3	0.4	0.5	0.6	0.7	0.8	0.9
10.	0.79784	0.79775	0.79767	0.79758	0.79750	0.79741	0.79733	0.79725	0.79716	0.79708
11.	0.79699	0.79691	0.79682	0.79674	0.79665	0.79657	0.79648	0.79640	0.79631	0.79623
12.	0.79614	0.79606	0.79598	0.79589	0.79581	0.79572	0.79564	0.79555	0.79547	0.79538
13.	0.79530	0.79521	0.79513	0.79504	0.79496	0.79487	0.79479	0.79470	0.79462	0.79453
14.	0.79445	0.79436	0.79428	0.79419	0.79411	0.79402	0.79394	0.79385	0.79377	0.79368
15.	0.79360	0.79352	0.79343	0.79335	0.79326	0.79318	0.79309	0.79301	0.79292	0.79284
16.	0.79275	0.79267	0.79258	0.79250	0.79241	0.79232	0.79224	0.79215	0.79207	0.79198
17.	0.79190	0.79181	0.79173	0.79164	0.79156	0.79147	0.79139	0.79130	0.79122	0.79113
18.	0.79105	0.79096	0.79088	0.79079	0.79071	0.79062	0.79054	0.79045	0.79037	0.79028
19.	0.79020	0.79011	0.79002	0.78994	0.78985	0.78977	0.78968	0.78960	0.78951	0.78943
20.	0.78934	0.78926	0.78917	0.78909	0.78900	0.78892	0.78883	0.78874	0.78866	0.78857
21.	0.78849	0.78840	0.78832	0.78823	0.78815	0.78806	0.78797	0.78789	0.78780	0.78772
22.	0.78763	0.78755	0.78746	0.78738	0.78729	0.78720	0.78712	0.78703	0.78695	0.78686
23.	0.78678	0.78669	0.78660	0.78652	0.78643	0.78635	0.78626	0.78618	0.78609	0.78600
24.	0.78592	0.78583	0.78575	0.78566	0.78558	0.78549	0.78540	0.78532	0.78523	0.78515
25.	0.78506	0.78497	0.78489	0.78480	0.78472	0.78463	0.78454	0.78446	0.78437	0.78429
26.	0.78420	0.78411	0.78403	0.78394	0.78386	0.78377	0.78368	0.78360	0.78351	0.78343
27.	0.78334	0.78325	0.78317	0.78308	0.78299	0.78291	0.78282	0.78274	0.78265	0.78256
28.	0.78248	0.78239	0.78230	0.78222	0.78213	0.78205	0.78196	0.78187	0.78179	0.78170
29.	0.78161	0.78153	0.78144	0.78136	0.78127	0.78118	0.78110	0.78101	0.78092	0.78084
30.	0.78075	0.78066	0.78058	0.78049	0.78040	0.78032	0.78023	0.78014	0.78006	0.77997

Valor de densidad de C_2H_5OH según el "American Institute of Physics Handbook".

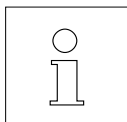
Indice

1	Introduzione	59
1.1	Prima d'iniziare	59
1.2	Dotazione di fornitura, ricambi	60
2	Preparazione della bilancia per le determinazioni di densità	61
3	Principio della determinazione della densità	62
4	Determinazione della densità di corpi solidi	62
4.1	Generalità	62
4.2	Esecuzione della determinazione di densità	62
4.3	Miglioramento della precisione del risultato	65
5	Determinazione della densità di liquidi	65
5.1	Generalità	65
5.2	Esecuzione della determinazione di densità	66
5.3	Miglioramento della precisione del risultato	68
6	Informazioni aggiuntive	68
6.1	Grandezze influenti	68
6.2	Tabella della densità dell'acqua distillata	70
6.3	Tabella della densità dell'etanolo	71

1 Introduzione

1.1 Prima d'iniziare

Vi ringraziamo per aver acquistato il kit per la determinazione della densità per la vostra METTLER TOLEDO bilancia. Con l'ausilio di questo kit, vi sarà possibile impiegare la bilancia per la determinazione della densità di corpi solidi e liquidi.



Le presenti istruzioni d'uso descrivono le modalità operative da seguire con il kit per la determinazione della densità. Per informazioni circa l'uso della bilancia, rinviamo alle Istruzioni d'uso che vengono consegnate insieme con la bilancia stessa.

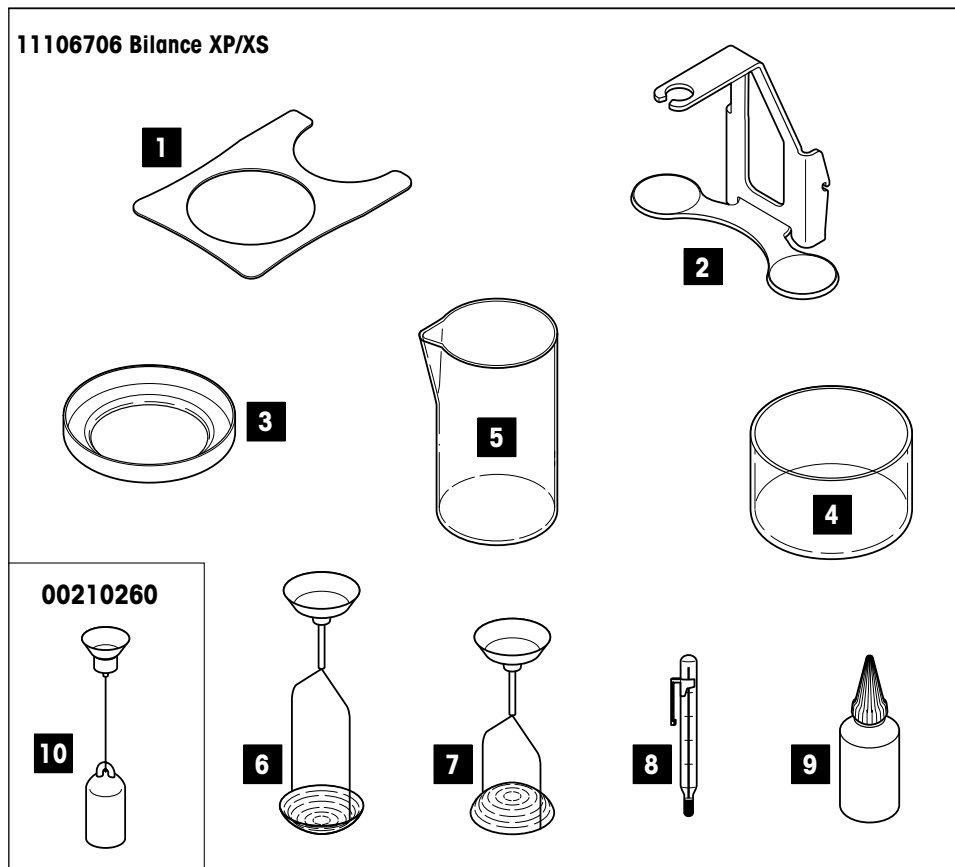


Vi preghiamo prendere nota di tutte le avvertenze di sicurezza che sono contenute nelle istruzioni d'uso della bilancia, e rispettarle scrupolosamente.

1.2 Dotazione di fornitura, ricambi

Il kit per la **determinazione della densità di corpi solidi** contiene i componenti che sono illustrati nel disegno sottostante (1–9).

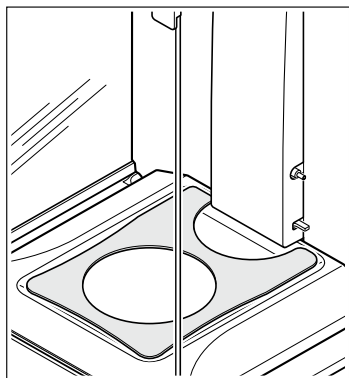
Per la **determinazione della densità di liquidi**, è necessario disporre il kit di cui sopra, e additionally del **corpo da immergere di 10 ml** (00210260), indicato anch'esso in figura, con il numero di riferimento (10). Il corpo da immergere è disponibile anche in versione certificata (00210672).



	Denominazione	N.Cod.		Denominazione	N.Cod.
1	Piano di supporto	11106728	7	Supporto per corpi solidi galleggianti	00238181
2	Staffa	11106703	8	Termómetro de precisión certificata	00238185 00238767
3	Piatto	00238164	9	Agente bagnante	00072409
4	Bicchiere Ø 80 mm	00238167	10	Corpo da immergere da 10 ml	00210260
5	Bicchiere Ø 60 mm	00238166			
6	Supporto per corpi solidi più pesanti del liquido	00238180			

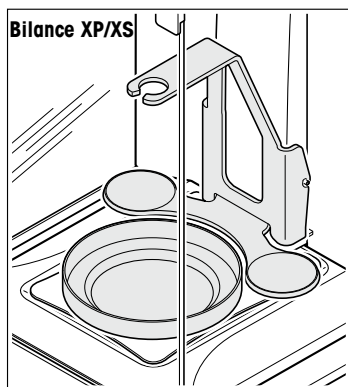
2 Preparazione della bilancia per le determinazioni di densità

Questa sezione descrive come equipaggiare la bilancia nel tempo più breve per la determinazione della densità. Le figure in calce alla presente pagina illustrano la bilancia preparata per le misurazioni di densità.



- Togliere il piatto dalla camera di pesata.
- Posizionare il piano di supporto fornito (1).

Bilance con accessorio per la misurazione della densità montato



- Fissare la staffa (2) alla sospensione del piatto.
- Porre il piatto (3) nel piano di supporto.

3 Principio della determinazione della densità

La densità ρ è il rapporto tra il peso m e il volume V :

$$\rho = \frac{m}{V}$$

L'unità di densità prescritta secondo il sistema internazionale di unità è il **kg/m³**. Tuttavia, per scopi di laboratorio, l'unità **g/cm³** è maggiormente adatta.

Le determinazioni di densità vengono spesso eseguite secondo il «**principio di Archimede**», che viene impiegato anche nel kit per la determinazione delle densità per le bilance METTLER TOLEDO. Questo principio dice che ciascun corpo che viene immerso in un fluido è soggetto ad una spinta verso l'alto che corrisponde al peso del volume di liquido che esso sposta.

La procedura per la determinazione della densità secondo il «principio di Archimede» è diversa a seconda che si deva determinare la **densità di corpi solidi o di liquidi**.

4 Determinazione della densità di corpi solidi

4.1 Generalità

La densità di un corpo solido viene determinata con l'ausilio di un liquido la cui **densità** ρ_0 è nota (quali liquidi ausiliari si impiegano per lo più acqua distillata o etanolo). Il corpo solido viene pesato una prima volta in aria (A) e successivamente mentre si trova immerso nel liquido ausiliario (B). La densità ρ può essere calcolata a partire dai due valori di peso misurati, come segue:

$$\text{Densità: } \rho = \frac{A}{A-B} (\rho_0 - \rho_L) + \rho_L$$

ρ = Densità del campione

A = Peso del campione in aria

B = Peso del campione nel liquido ausiliario

ρ_0 = Densità del liquido ausiliario

ρ_L = Densità dell'aria (0.0012 g/cm³)

α = Fattore di correzione della bilancia (0.99985), tiene conto della spinta aerost. applicata al peso di regolazioni.

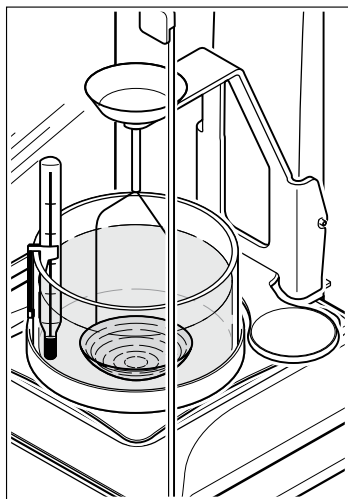
$$\text{Volume: } V = \alpha \frac{A-B}{\rho_0 - \rho_L}$$

4.2 Esecuzione della determinazione di densità

Avvertenza: Queste istruzioni descrivono come operare con il kit per la determinazione di densità. Illustrano la procedura per poter eseguire la determinazione di densità in modo manuale.

Per l'utilizzo della vostra bilancia XP/XS vi preghiamo di seguire attentamente le informazioni contenute nel manuale di istruzioni fornito con la bilancia. Sono inoltre contenute tutte le informazioni per l'utilizzo del software per la determinazione di densità integrato alla bilancia XP/XS.

Per la determinazione della densità di corpi solidi, impiegare il bicchiere basso (4) ed uno dei due supporti, per corpi solidi più pesanti del liquido ausiliario (6), o per corpi solidi galleggianti (7).



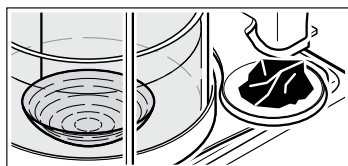
Preparare la bilancia per la determinazione della densità (installare il piano di supporto, la staffa e il piatto), come descritto nel capitolo 2.

Applicare il termometro (8) fornito insieme con l'accessorio sul bordo del bicchiere basso (4). Caricare il bicchiere sul piatto e riempirlo con il liquido ausiliario (liquido la cui densità ρ_0 è nota, per lo più acqua distillata o etanolo). Versare nel bicchiere tanto liquido quanto è necessario per avere almeno un cm di liquido sopra il corpo solido dopo l'immersione.

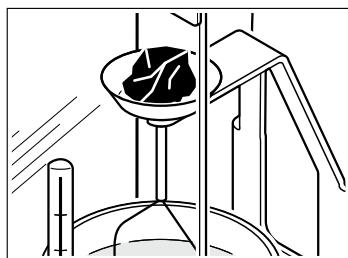
Appendere alla staffa l'adatto supporto (6) o (7) per corpi solidi più pesanti del liquido o galleggianti (la figura qui a fianco illustra il supporto per corpi solidi più pesanti del liquido di riferimento).

Accertarsi che sulla porzione immersa del supporto **non aderiscano bolle d'aria** (eventuali bolle d'aria possono essere rimosse muovendo leggermente il supporto, oppure con un pennellino).

Chiudere le finestre del paravento, ed effettuare la detrazione della tara.

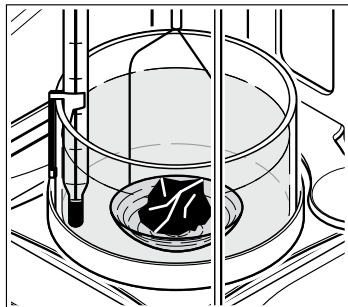


Disporre il corpo solido in uno dei due piatti laterali sporgenti della staffa (2). Aspettare fino a che l'indicazione di peso della bilancia sia stabile (il controllo di stabilità si spegne) e prendere nota del peso indicato A (peso del campione in aria).

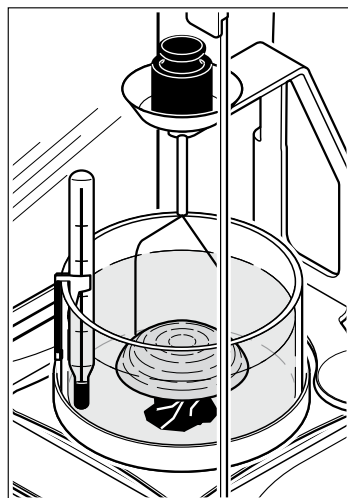


Avvertenza

Corpi solidi con un peso superiore a 20 g dovranno essere caricati per la pesata in aria nel piatto previsto in corrispondenza dell'estremità superiore del supporto (oltre i 20 g, in caso di pesata su un braccio si possono verificare errori di carico laterale).



Togliere il corpo solido dal piatto, chiudere la finestre del paravento, ed effettuare la detrazione della tara. Disporre dopo il corpo solido nel supporto (6). Accertarsi che sul corpo solido non aderiscano bolle d'aria (eventuali bolle d'aria andranno allontanate con un pennello).



Avvertenza

In caso di **corpi solidi con una densità inferiore a 1 g/cm^3** , si deve impiegare il **supporto per corpi solidi galleggianti (7)**, che tiene il corpo sotto la superficie del liquido ausiliario. Se la spinta verso l'alto applicata al corpo solido è maggiore del peso del supporto, quest'ultimo deve essere appesantito con un peso addizionale posto sul piatto superiore della staffa.

Dopo aver applicato il peso addizionale, effettuare la detrazione della tara e iniziare nuovamente l'operazione di determinazione della densità pesando il corpo solido in aria (A) e successivamente nel liquido (B).

Attendere fino a che la bilancia abbia raggiunto la stabilità e prendere nota del valore B indicato (peso del campione nel liquido ausiliario).

Determinare ora la densità ρ del corpo solido secondo la formula di cui sopra (capitolo 4.1).

4.3 Miglioramento della precisione del risultato

Le seguenti indicazioni vi aiuteranno a migliorare la precisione dei risultati nella **determinazione della densità di corpi solidi**.

Temperatura

In generale, i corpi solidi sono così poco sensibili alla temperatura che le corrispondenti variazioni di densità non sono rilevanti. Tuttavia, dato che nella determinazione della densità di corpi solidi secondo il «principio di Archimede», si lavora con un liquido, si deve tener conto della temperatura di quest'ultimo, poiché nel caso dei liquidi la temperatura esercita un effetto maggiore e provoca variazioni di densità dell'ordine di grandezza che vanno dallo 0.1 all'1 ‰ per °C. Variazioni di quest'ordine di grandezza influiscono sulla terza cifra decimale del risultato.

Per ottenere risultati precisi, vi raccomandiamo di tenere sempre conto della temperatura del liquido ausiliario in tutte le determinazioni di densità. I corrispondenti valori possono essere desunti da un libro di tabelle. Nelle presenti Istruzioni d'uso, le tabelle relative all'acqua distillata e all'etanolo sono presentate nella capitolo 6.

La tensione superficiale del liquido ausiliario

A causa dell'adesione del liquido ausiliario ai fili di sostegno del supporto, viene generato un aumento apparente di peso che può giungere fino a 3 mg.

Dato che nel corso di entrambe le pesate del corpo solido (in aria e nel liquido ausiliario), il supporto è immerso nel liquido e prima di ciascuna misura si effettua la detrazione della tara, l'effetto dell'aumento apparente di peso può essere trascurato.

Per misure della massima precisione, impiegare qualche goccia dell'agente bagnante (9) consegnato insieme con l'accessorio.

5 Determinazione della densità di liquidi

5.1 Generalità

La densità di un liquido viene determinata con l'ausilio di un corpo da immergere il cui **volume** è noto. Il corpo da immergere viene pesato una prima volta in aria e successivamente nel liquido del quale si deve determinare la densità. La densità ρ può essere calcolata a partire dai due valori di peso misurati, come segue:

$$\text{Densità: } \rho = \alpha \frac{A-B}{V} + \rho_L$$

Una bilancia elettronica consente la determinazione della densità della "spinta ascensionale" e risp. del "peso del liquido spostato" P ($P = A-B$) e conseguentemente la formula di cui sopra può essere semplificata:

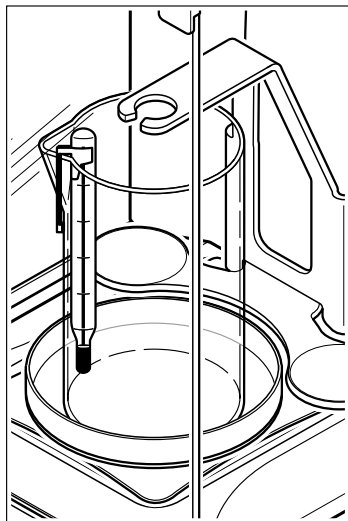
$$\rho = \alpha \frac{P}{V} + \rho_L$$

- ρ = Densità del liquido
- A = Peso del corpo da immergere in aria
- B = Peso del corpo da immergere nel liquido
- V = Volume del corpo da immergere
- ρ_L = Densità dell'aria (0.0012 g/cm³)
- α = Fattore di correzione della bilancia (0.99985), tiene conto della spinta aerost. applicata al peso di regolazioni.
- P = Peso del liquido pastosa spostati (P = A-B).

5.2 Esecuzione della determinazione di densità

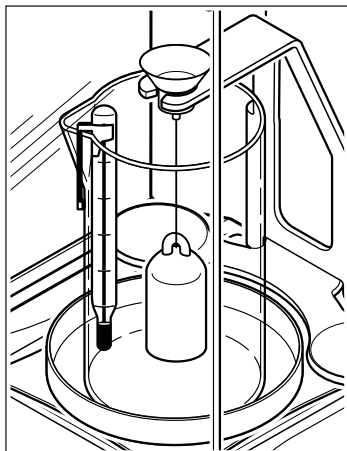
Avvertenza: Queste istruzioni descrivono come operare con il kit per la determinazione di densità. Illustrano la procedura per poter eseguire la determinazione di densità in modo manuale. Per l'utilizzo della vostra bilancia XP/XS, vi preghiamo di seguire attentamente le informazioni che trovate nel manuale di istruzioni fornito con la bilancia. Sono inoltre contenute tutte le informazioni per l'utilizzo del software per la determinazione di densità integrato alla bilancia XP/XS.

Per la determinazione della densità dei liquidi, impiegare il bicchiere alto (5) e il corpo da immergere opzionale (10).



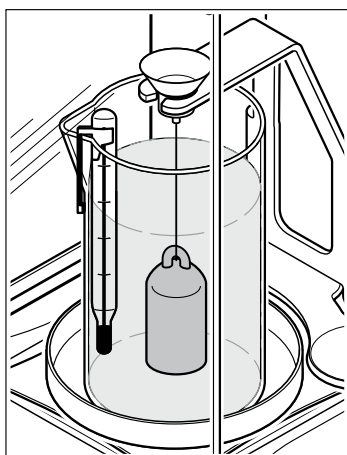
Per la determinazione della densità preparare la bilancia (installare il piano di supporto, la staffa e il piatto) come descritto nel capitolo 2.

Caricare il bicchiere alto (5) vuoto sul piatto della bilancia e applicare il termometro fornito insieme con l'accessorio (8) sul bordo del bicchiere.



Appendere il corpo da immergere (10) sulla staffa e accertarsi che esso non tocchi né il bicchiere, né il termometro.

Effettuare la detrazione della tara.



Introdurre il liquido del quale si desidera determinare la densità nel bicchiere (fino a circa 1 cm sopra il gancio di sospensione del corpo da immergere). Assicurarsi che al corpo immerso non aderiscano bolle d'aria (allontanare eventuali bolle con un pennellino).

Attendere fino a che l'indicazione di peso della bilancia raggiunge la stabilità (il controllo di stabilità si spegne), e annotare il valore di peso indicato P (Peso del liquido pastosa spostati).

Ora determinare la densità ρ del liquido desiderata (alla temperatura indicata dal termometro) secondo la formula di cui sopra (capitolo 5.1).

5.3 Miglioramento della precisione del risultato

Tolleranza sul volume del corpo da immergere

Il corpo da immergere opzionale 00210260 raccomandato per la determinazione della densità di liquidi soddisfa le prescrizioni delle norme Tedesche sui pesi e misure (EO 13-4, paragrafo 9.21). Il volume del corpo da immergere 00210260, compresa la metà inferiore del filo di sospensione del supporto, è aggiustato in maniera tale che nella determinazione della densità di acqua con una temperatura di 20 °C, si ottiene un risultato che è affetto da un errore massimo di $\pm 0.0005 \text{ g/cm}^3$.

6 Informazioni aggiuntive

Questo capitolo fornisce informazioni circa le grandezze che possono ridurre la precisione dei risultati di misura. Inoltre, in questo capitolo sono fornite le tabelle di densità per acqua distillata ed etanolo.

6.1 Grandezze influenti

Oltre alla temperatura, alla spinta ascensionale dell'aria e alla tensione superficiale del liquido, le seguenti grandezze possono influenzare additionally i risultati di misura:

- Profondità d'immersione del supporto o del corpo da immergere
- Bolle d'aria
- Porosità del corpo solido

Profondità d'immersione del supporto o del corpo da immergere

Il corpo da immergere da impiegare per la **determinazione della densità di liquidi** è tenuto sospeso da un filo di platino di **0.2 mm di diametro**. In acqua, il filo subisce **una spinta verso l'alto di circa 0.3 mg per ogni 10 mm di profondità d'immersione**.

Esempio: Se il pelo libero del liquido si trova 10 mm sopra il gancio di sospensione del corpo da immergere, circa 40 mm del filo di sospensione sono immersi. A densità di 1, si genera pertanto una spinta verso l'alto di 1.2 mg. Quando si effettua la divisione della spinta verso l'alto per 10 cm^3 (= volume del corpo da immergere), l'errore sul risultato diventa tuttavia trascurabile e non è necessario effettuare la correzione.

La porzione da immergere del supporto per la **determinazione della densità di corpi solidi** consiste di due fili, **ciascuno di 0.7 mm di diametro**. Ad una densità del liquido pari a 1 ne deriva **una spinta verso l'alto di circa 0.4 mg per mm di profondità d'immersione**.

Nel caso della pesata del corpo solido in aria, il supporto rimane immerso con la stessa profondità. Quindi, la spinta verso l'alto applicata al supporto rimane costante e pertanto può essere trascurata. Tuttavia, è importante che **l'altezza del liquido** tra le pesate **non venga cambiata** (la variazione dell'altezza del pelo libero del liquido dovuta all'immersione del corpo solido è per lo più trascurabile).

Bolle d'aria

In caso di fluidi con cattivo potere bagnante (ad esempio, acqua senza agenti bagnanti) è possibile che alle parti immerse (corpo solido, corpo da immergere, supporto) rimangano aderenti bolle d'aria, che generano una spinta verso l'alto e quindi influiscono sul risultato. Una bolla con un diametro di 1 mm genera una spinta verso l'alto di 0.5 mg, mentre una con 2 mm di diametro provoca una spinta verso l'alto di 4 mg. Per l'eliminazione delle bolle d'aria raccomandiamo le seguenti **misure precauzionali**:

- Sgrassare i corpi solidi resistenti ai solventi
- Pulire regolarmente i supporti e il corpo da immergere, non toccare mai la parte da immergere con le mani
- All'atto della prima immersione, scuotere leggermente i supporti e il corpo da immergere, allo scopo di staccare eventuali bolle d'aria
- Asportare bolle d'aria fortemente aderenti con un pennellino fine
- Impiegare l'agente bagnante fornito insieme con l'accessorio, o di un tipo normalmente disponibile sul mercato, oppure impiegare liquidi organici (la variazione della densità dell'acqua distillata dovuta all'aggiunta dell'agente bagnante può essere trascurata).

Porosità del corpo solido

All'atto dell'immersione di corpi porosi in liquido, usualmente non tutta l'aria viene espulsa dai pori. Questo conduce a valori errati della spinta verso l'alto e quindi la densità di corpi porosi può essere determinata soltanto in misura approssimativa.

70

6.2 Tabella della densità dell'acqua distillata

T/°C	0.0	0.1	0.2	0.3	0.4	0.5	0.6	0.7	0.8	0.9
10.	0.99973	0.99972	0.99971	0.99970	0.99969	0.99968	0.99967	0.99966	0.99965	0.99964
11.	0.99963	0.99962	0.99961	0.99960	0.99959	0.99958	0.99957	0.99956	0.99955	0.99954
12.	0.99953	0.99951	0.99950	0.99949	0.99948	0.99947	0.99946	0.99944	0.99943	0.99942
13.	0.99941	0.99939	0.99938	0.99937	0.99935	0.99934	0.99933	0.99931	0.99930	0.99929
14.	0.99927	0.99926	0.99924	0.99923	0.99922	0.99920	0.99919	0.99917	0.99916	0.99914
15.	0.99913	0.99911	0.99910	0.99908	0.99907	0.99905	0.99904	0.99902	0.99900	0.99899
16.	0.99897	0.99896	0.99894	0.99892	0.99891	0.99889	0.99887	0.99885	0.99884	0.99882
17.	0.99880	0.99879	0.99877	0.99875	0.99873	0.99871	0.99870	0.99868	0.99866	0.99864
18.	0.99862	0.99860	0.99859	0.99857	0.99855	0.99853	0.99851	0.99849	0.99847	0.99845
19.	0.99843	0.99841	0.99839	0.99837	0.99835	0.99833	0.99831	0.99829	0.99827	0.99825
20.	0.99823	0.99821	0.99819	0.99817	0.99815	0.99813	0.99811	0.99808	0.99806	0.99804
21.	0.99802	0.99800	0.99798	0.99795	0.99793	0.99791	0.99789	0.99786	0.99784	0.99782
22.	0.99780	0.99777	0.99775	0.99773	0.99771	0.99768	0.99766	0.99764	0.99761	0.99759
23.	0.99756	0.99754	0.99752	0.99749	0.99747	0.99744	0.99742	0.99740	0.99737	0.99735
24.	0.99732	0.99730	0.99727	0.99725	0.99722	0.99720	0.99717	0.99715	0.99712	0.99710
25.	0.99707	0.99704	0.99702	0.99699	0.99697	0.99694	0.99691	0.99689	0.99686	0.99684
26.	0.99681	0.99678	0.99676	0.99673	0.99670	0.99668	0.99665	0.99662	0.99659	0.99657
27.	0.99654	0.99651	0.99648	0.99646	0.99643	0.99640	0.99637	0.99634	0.99632	0.99629
28.	0.99626	0.99623	0.99620	0.99617	0.99614	0.99612	0.99609	0.99606	0.99603	0.99600
29.	0.99597	0.99594	0.99591	0.99588	0.99585	0.99582	0.99579	0.99576	0.99573	0.99570
30.	0.99567	0.99564	0.99561	0.99558	0.99555	0.99552	0.99549	0.99546	0.99543	0.99540

6.3 Tabella della densità dell'etanolo

T/°C	0.0	0.1	0.2	0.3	0.4	0.5	0.6	0.7	0.8	0.9
10.	0.79784	0.79775	0.79767	0.79758	0.79750	0.79741	0.79733	0.79725	0.79716	0.79708
11.	0.79699	0.79691	0.79682	0.79674	0.79665	0.79657	0.79648	0.79640	0.79631	0.79623
12.	0.79614	0.79606	0.79598	0.79589	0.79581	0.79572	0.79564	0.79555	0.79547	0.79538
13.	0.79530	0.79521	0.79513	0.79504	0.79496	0.79487	0.79479	0.79470	0.79462	0.79453
14.	0.79445	0.79436	0.79428	0.79419	0.79411	0.79402	0.79394	0.79385	0.79377	0.79368
15.	0.79360	0.79352	0.79343	0.79335	0.79326	0.79318	0.79309	0.79301	0.79292	0.79284
16.	0.79275	0.79267	0.79258	0.79250	0.79241	0.79232	0.79224	0.79215	0.79207	0.79198
17.	0.79190	0.79181	0.79173	0.79164	0.79156	0.79147	0.79139	0.79130	0.79122	0.79113
18.	0.79105	0.79096	0.79088	0.79079	0.79071	0.79062	0.79054	0.79045	0.79037	0.79028
19.	0.79020	0.79011	0.79002	0.78994	0.78985	0.78977	0.78968	0.78960	0.78951	0.78943
20.	0.78934	0.78926	0.78917	0.78909	0.78900	0.78892	0.78883	0.78874	0.78866	0.78857
21.	0.78849	0.78840	0.78832	0.78823	0.78815	0.78806	0.78797	0.78789	0.78780	0.78772
22.	0.78763	0.78755	0.78746	0.78738	0.78729	0.78720	0.78712	0.78703	0.78695	0.78686
23.	0.78678	0.78669	0.78660	0.78652	0.78643	0.78635	0.78626	0.78618	0.78609	0.78600
24.	0.78592	0.78583	0.78575	0.78566	0.78558	0.78549	0.78540	0.78532	0.78523	0.78515
25.	0.78506	0.78497	0.78489	0.78480	0.78472	0.78463	0.78454	0.78446	0.78437	0.78429
26.	0.78420	0.78411	0.78403	0.78394	0.78386	0.78377	0.78368	0.78360	0.78351	0.78343
27.	0.78334	0.78325	0.78317	0.78308	0.78299	0.78291	0.78282	0.78274	0.78265	0.78256
28.	0.78248	0.78239	0.78230	0.78222	0.78213	0.78205	0.78196	0.78187	0.78179	0.78170
29.	0.78161	0.78153	0.78144	0.78136	0.78127	0.78118	0.78110	0.78101	0.78092	0.78084
30.	0.78075	0.78066	0.78058	0.78049	0.78040	0.78032	0.78023	0.78014	0.78006	0.77997

I valori della densità del C₂H₅OH sono desunti dall'“American Institute of Physics Handbook”.

**To protect your METTLER TOLEDO product's future:
METTLER TOLEDO Service assures the quality, measuring accuracy and preservation of value of
all METTLER TOLEDO products for years to come.
Please send for full details about our attractive terms of service.
Thank you.**

**Für eine gute Zukunft Ihres METTLER TOLEDO-Produktes:
METTLER TOLEDO Service sichert Ihnen auf Jahre Qualität, Messgenauigkeit und Werterhaltung
der METTLER TOLEDO-Produkte.
Verlangen Sie bitte genaue Unterlagen über unser attraktives Service-Angebot.
Vielen Dank.**

**Pour assurer l'avenir de vos produits METTLER TOLEDO:
Le service après-vente METTLER TOLEDO vous garantit pendant des années leur qualité, leur
précision de mesure et le maintien de leur valeur.
Demandez-nous notre documentation sur les excellentes prestations proposées par le service
après-vente METTLER TOLEDO.
Merci.**

**Para un mejor futuro de sus productos METTLER TOLEDO:
El servicio postventa de METTLER TOLEDO garantiza durante años su calidad, su precisión metrológica
y la conservación de su valor.
Pida nuestra documentación sobre las excelentes prestaciones que le ofrece el servicio postventa
de METTLER TOLEDO.
Gracias.**

**Per un buon futuro dei Vostrì prodotti METTLER TOLEDO:
Il servizio assistenza tecnica METTLER TOLEDO Vi garantisce nel corso degli anni la loro qualità,
la loro precisione di misura e la conservazione del loro valore.
Richiedeteci subito la documentazione illustrativa del servizio altamente professionale che Vi
offriamo.
Grazie.**



Subject to technical changes and to the availability
of the accessories supplied with the instruments.

© Mettler-Toledo AG 2008 11780508B Printed in Switzerland 0807/2.45

Mettler-Toledo AG, Laboratory & Weighing Technologies, CH-8606 Greifensee, Switzerland
Phone +41-44-944 22 11, Fax +41-44-944 30 60, Internet: <http://www.mt.com>