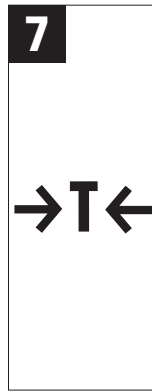
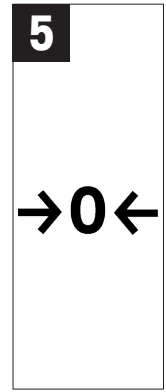
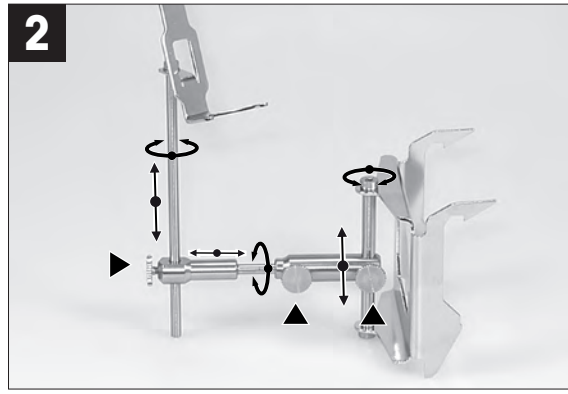
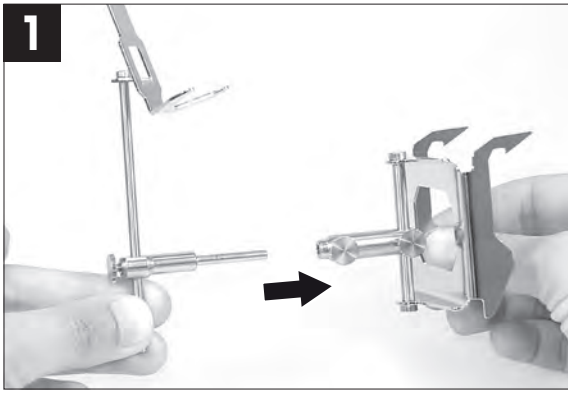


ErgoClip Syringe

for Analytical Balances XPR, XSR





www.mt.com/lab-accessories

For more information

Mettler-Toledo GmbH
 Im Langacher 44
 8606 Greifensee, Switzerland
www.mt.com/contact

Subject to technical changes.
 © Mettler-Toledo GmbH 08/2018
 30419889A en

