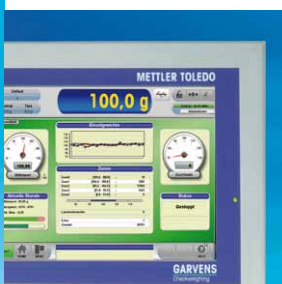


### The perfect solution!



#### Space saving design

Compact design which gives higher weighing accuracy and ensures easy and space saving integration into the production line.



#### Increased line efficiency

Intelligent user interface for product settings and optional statistics – fast, simple and reliable. Memory presets allow for a quick and easy change-over to another product.



#### Safety of your products

The rejecting device reliably sorts the off-weight products – to protect your brand.

#### Being a versatile checkweigher the XS2 for weights up to 600 g meets even higher demands.

The advantages are many: easy-to-use touchscreen with modern navigation approach and "user profiles" – for clear operator guidance. Continuously variable belt conveyor speed with constant maximum torque, direction of transport and line height to be selected on site, and a weighing terminal that can be tilted for optimum visibility.

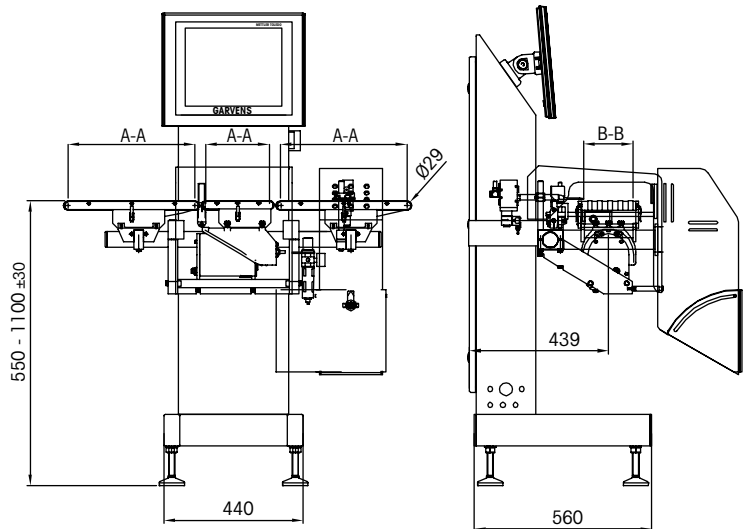
Technical data

**XS2**  
– the new standard

Checkweighers of the XS2 series are the result of continuing development in the field of dynamic weighing technology. Proven quality, new approaches to operation and flexible, modular design are the basic assets of this state-of-the-art weighing system.

The standard design includes a height adjustment facility, reversible direction of transport and continuous belt speed control. The modular concept of the XS2 allows for ease of servicing and ensures that it can easily be extended by further options.

The XS2 is suitable for weighing products up to 600 g, allowing for the best adaptation of the technical parameters of dynamic weighing to customers' requirements.



Schematic – typical dimensions in mm (A-A, B-B vary depending on the conveyor size), depending on the width of the conveyor used

**Characteristics**

- "Weights and Measures" design-approved in certain countries
- weight classification up to 7 zones
- manual or automatic re-zero
- various user-selectable program languages
- electrical ratings: 115/230 V (AC), 50/60 Hz, single-phase, 500 VA
- suitable for integration in almost any production line
- individual user profiles with passwords for access protection

**Weighing terminal**

- 200 article memory locations
- touch screen colour display, TFT 15", resolution 1024 x 768 pixel (SVGA)
- operator-friendly: TachoControl, operator prompts (menus), user profiles
- indication of all current important weighing and production data as well as configuration screens
- Windows-based control, XP embedded

**Options and accessories**

- automatic feedback to filling controllers
- statistics programs for evaluation
- various monitoring facilities (e. g. detection of product backup)
- various interfaces (e. g. for weight data transmission)
- various infeed conveyors and infeed units
- various outfeed conveyors and rejecting devices
- acrylic draught cover
- catch bins for rejects
- PrintStick or printer
- metal detection input
- OPC-server capability
- Fieldbus interface module
- ProdX interface
- Statistical Process Control (SPC)
- further special options and accessories on enquiry

\* depending on the design and dimensions of the weighing belt used

\*\* within the approved tolerances, depending on the weight, dimensions and transport behaviour of the product being weighed

**Technical Details**

| Technical Details                             | XS2   |
|---|---|
| Weighing range*                               | in the range 0 to 600 g, specific to article weight |
| Accuracy**                                    | from ± 0.02 g                                       |
| Throughput (weighings/minute)**               | max. 400  |
| Roller centres, weighing conveyor (A-A)       | 200, 250 mm   |
| Belt width, weighing conveyor (B-B)           | 100, 120, 150, 200 mm                               |
| Roller centres, infeed/outfeed conveyor (A-A) | 250, 400, 600 mm                                    |
| Belt width, infeed/outfeed conveyor (B-B)     | 100, 120, 150, 200 mm                               |
| Standard sorting/rejecting device             | air jet   |



**Mettler-Toledo Garvens GmbH**  
Kampstrasse 7  
31180 Giesen, Germany  
Telephone +49 (0) 5121 933-0  
Facsimile +49 (0) 5121 933-456  
e-mail garvens@mt.com

Subject to technical modifications.  
© Mettler-Toledo Garvens GmbH  
Printed in Germany 0211/112 UK

[www.mt.com/garvens](http://www.mt.com/garvens)

For more information